

007027" 50270260

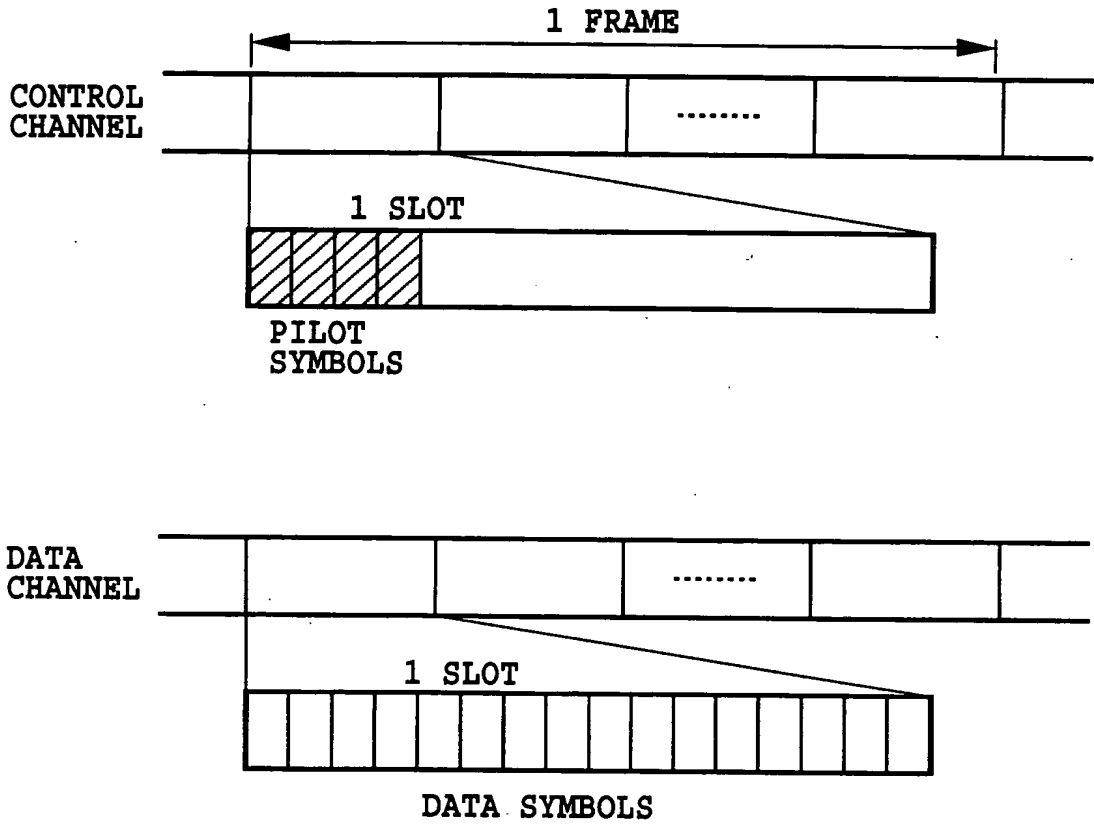


FIG.1

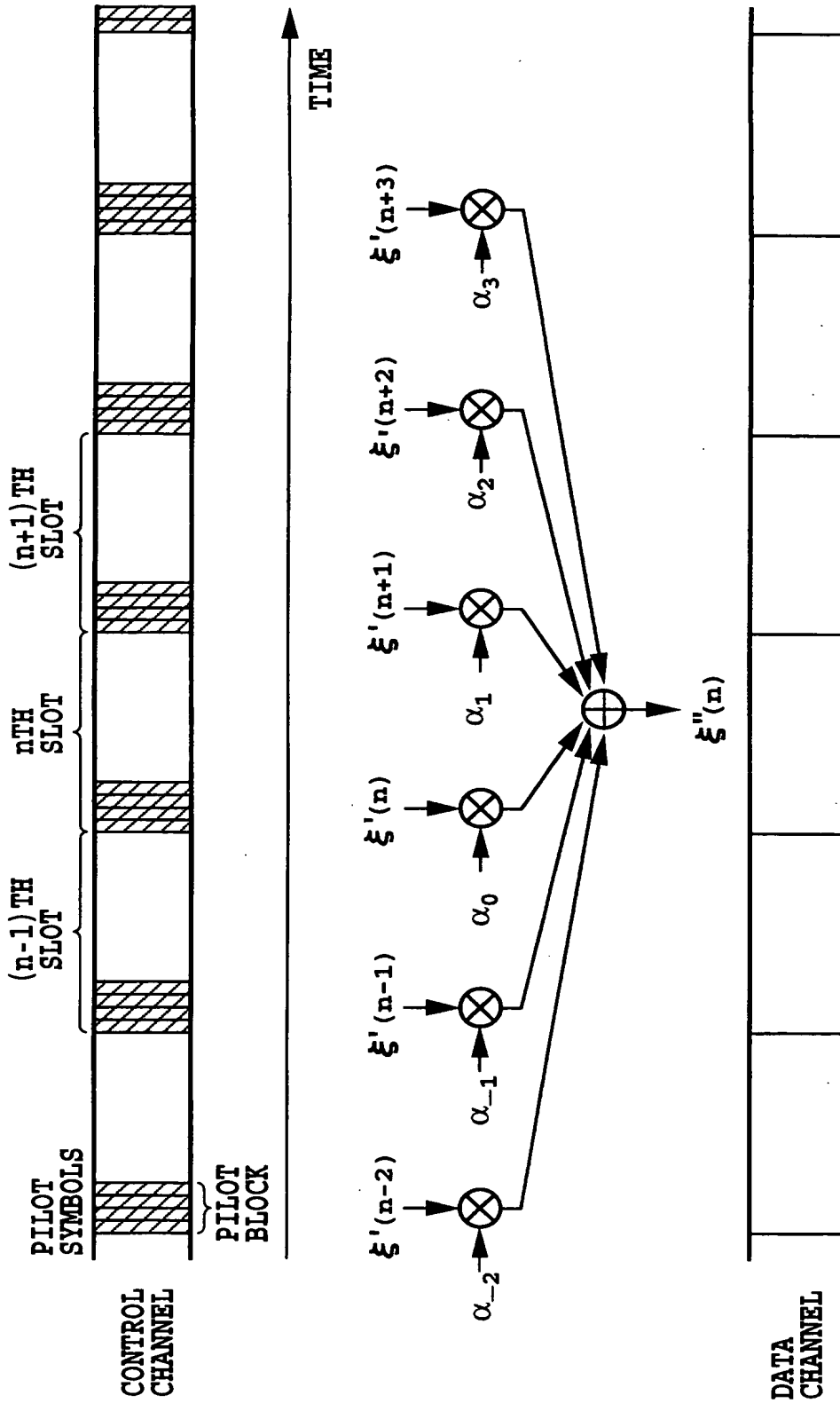


FIG.2

007027 50270250

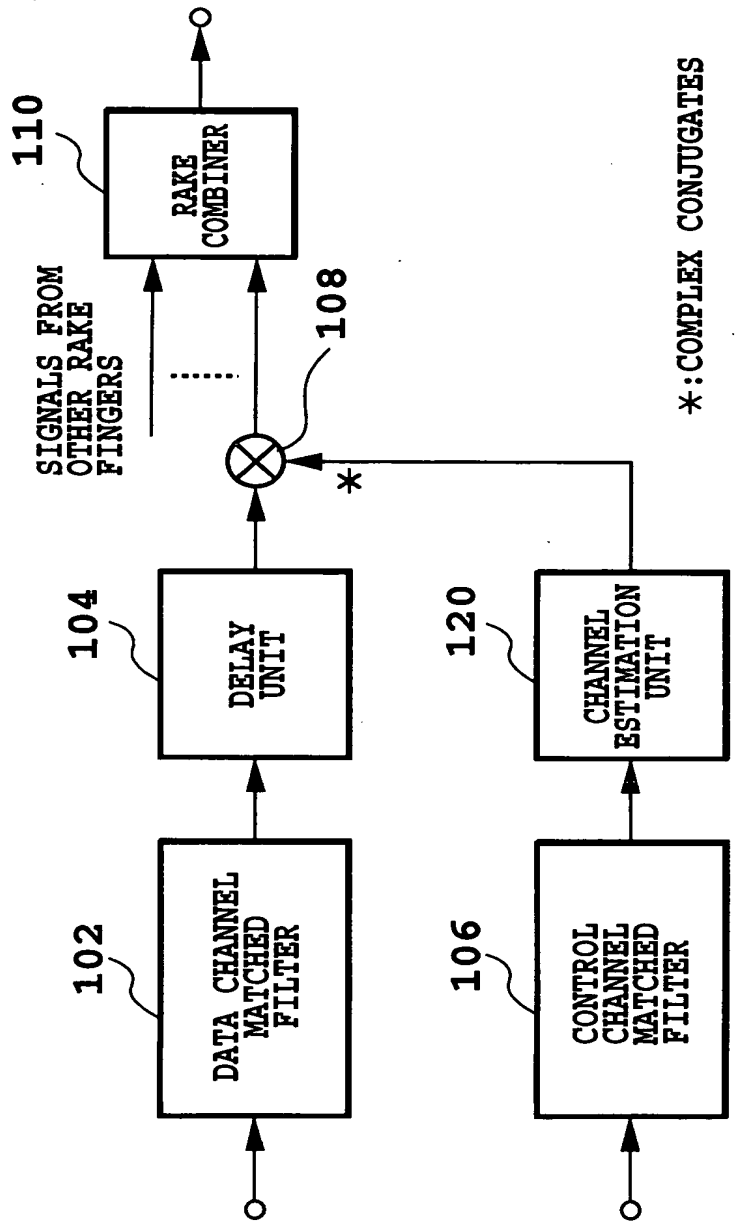


FIG.3

OFFICE 50270260

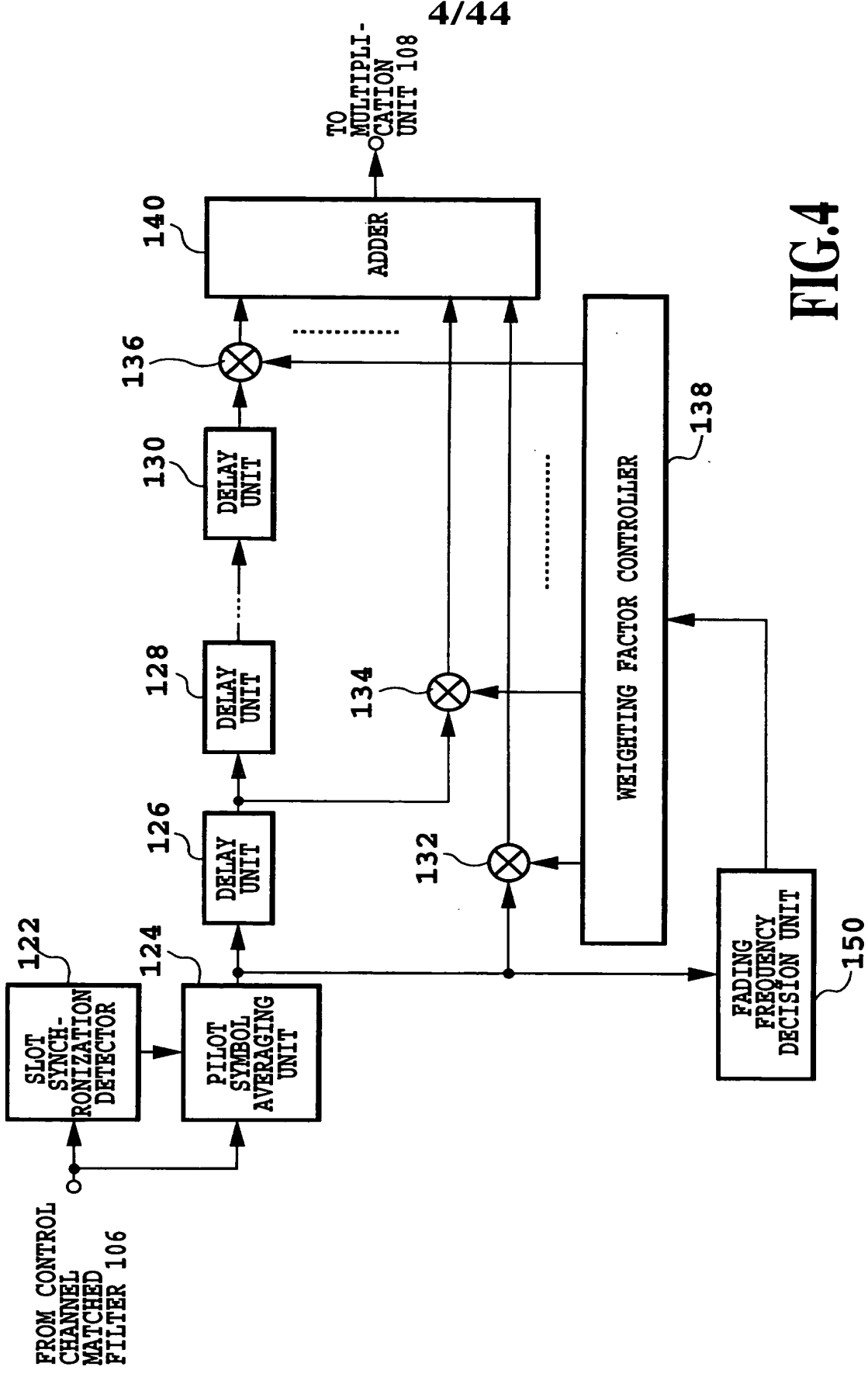


FIG.4

5/44

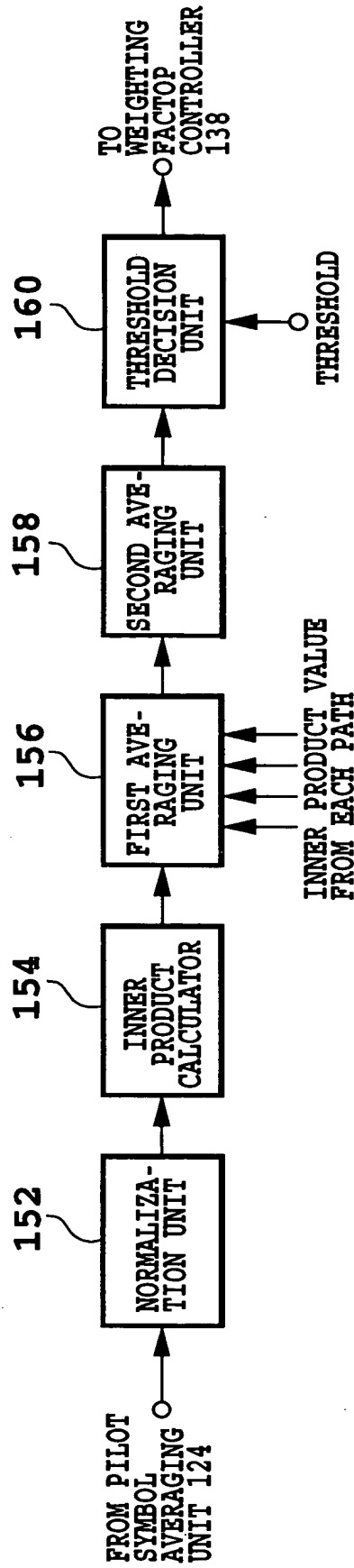


FIG.5

007027" 50270260

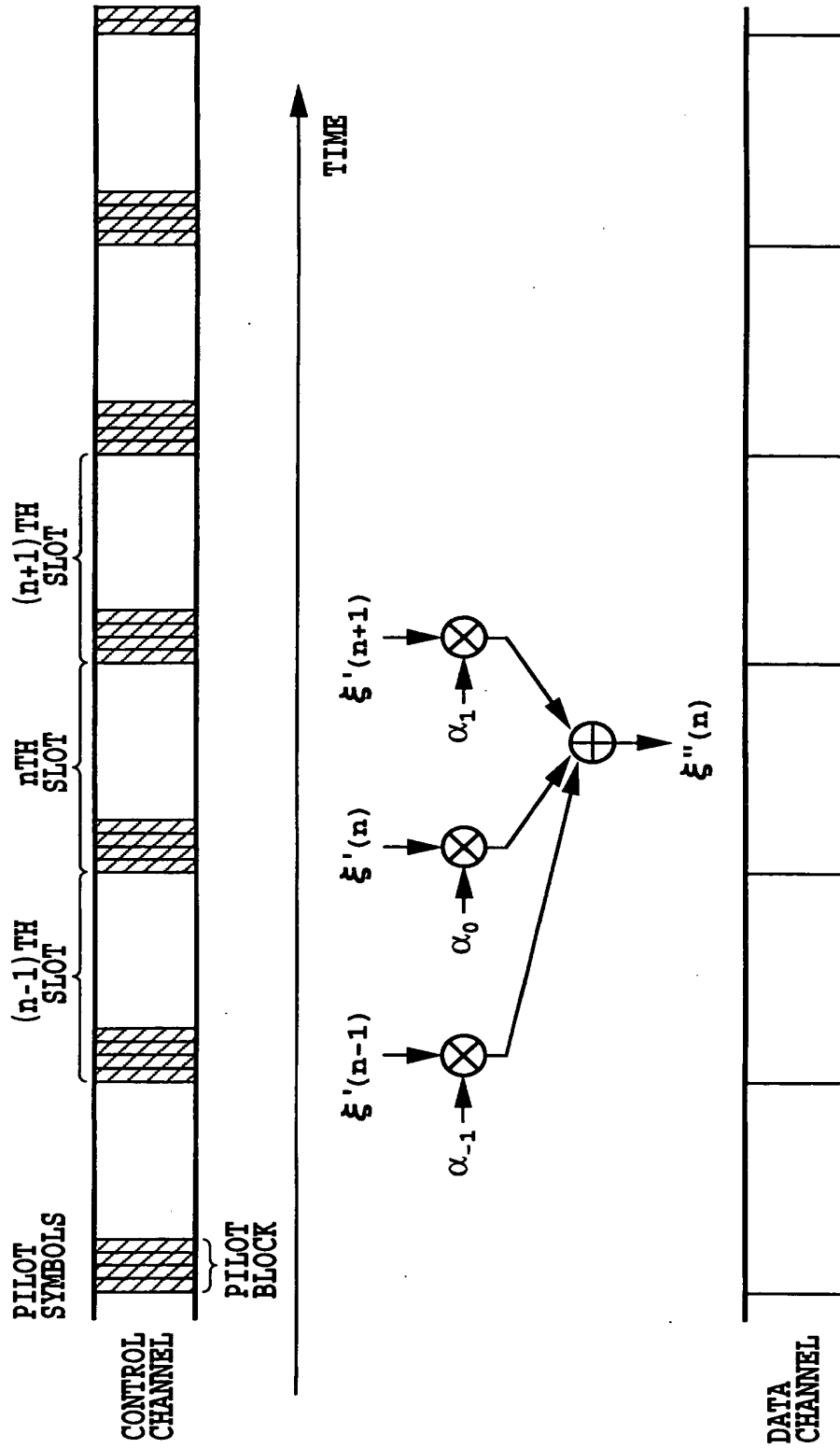


FIG.6

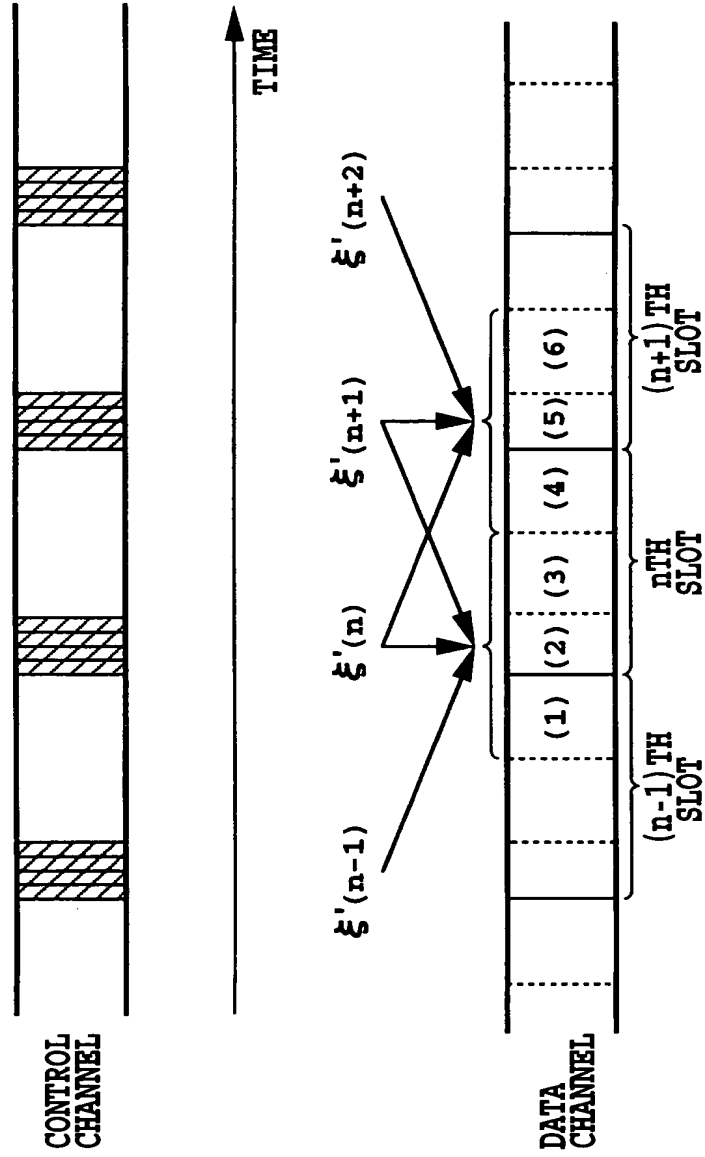
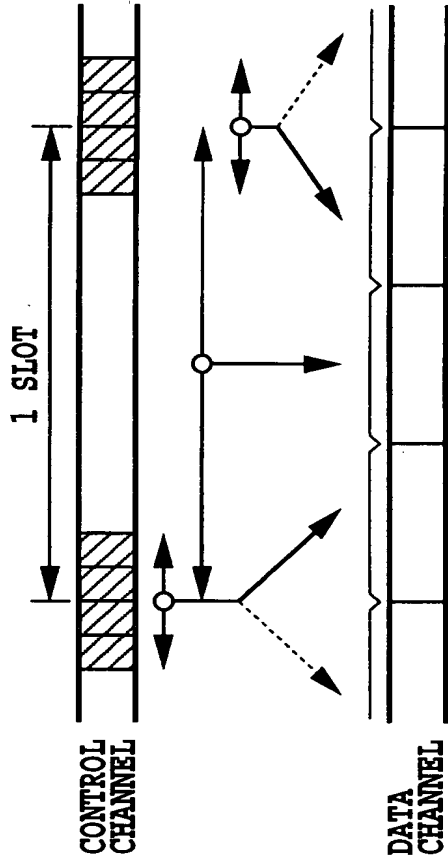


FIG.7



THE NUMBER OF SYMBOLS FOR AVERAGING = 4
THE NUMBER OF DIVIDING OF DATA = 3

FIG.8

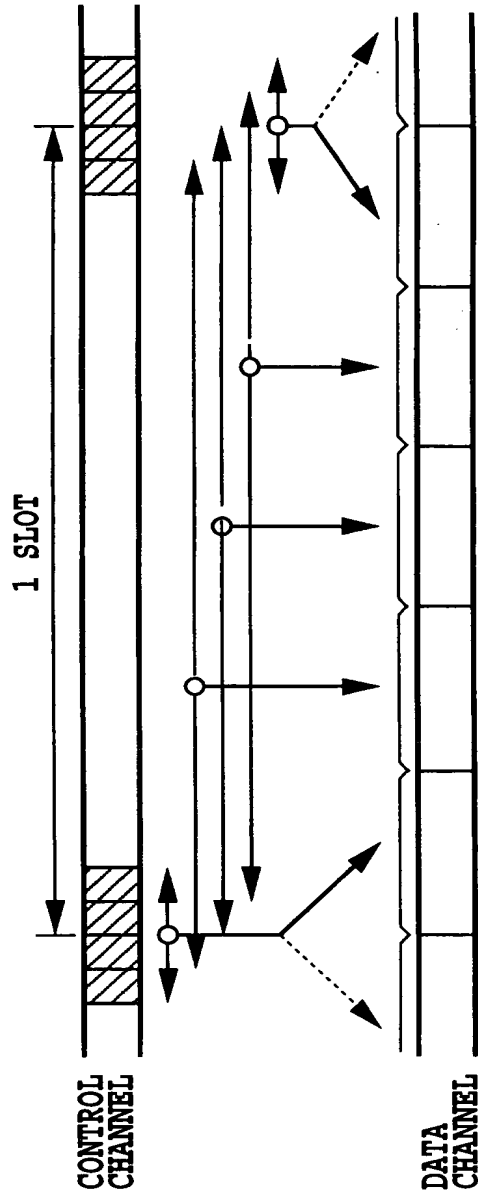
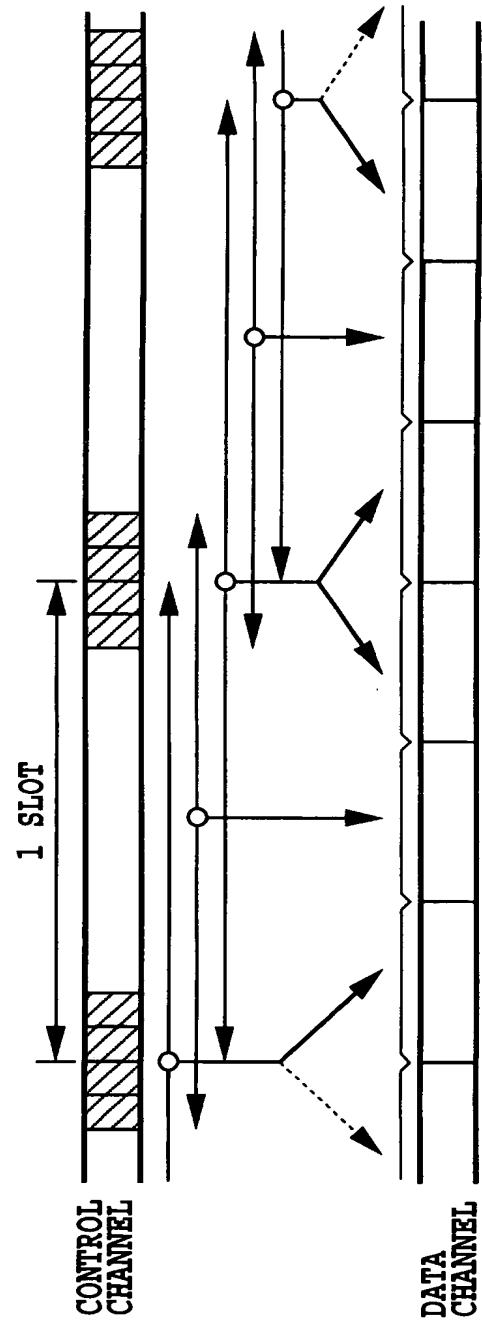


FIG.9

DOTNET 50470260



THE NUMBER OF SYMBOLS FOR AVERAGING = 8
THE NUMBER OF DIVIDING OF DATA = 3

FIG.10

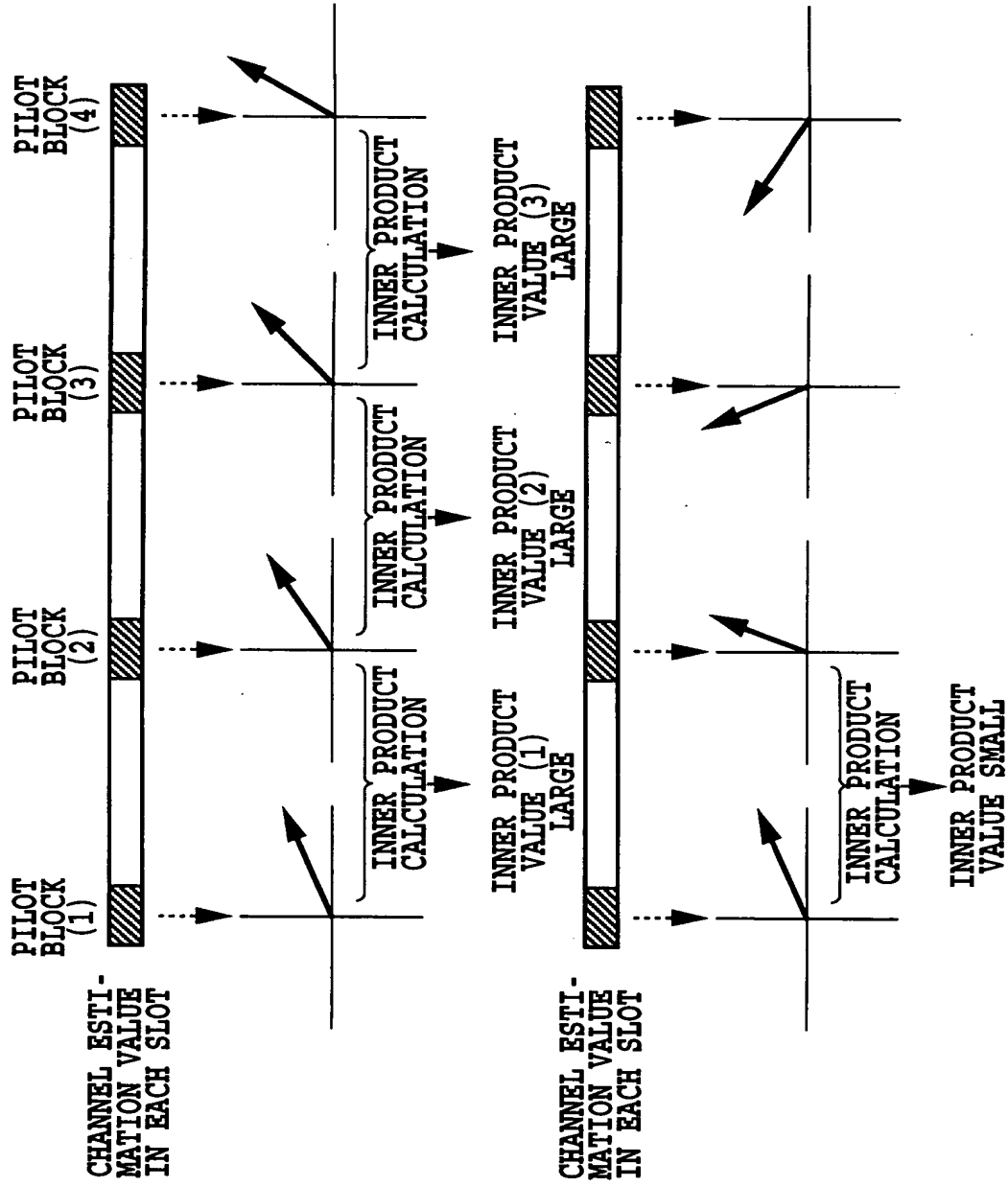
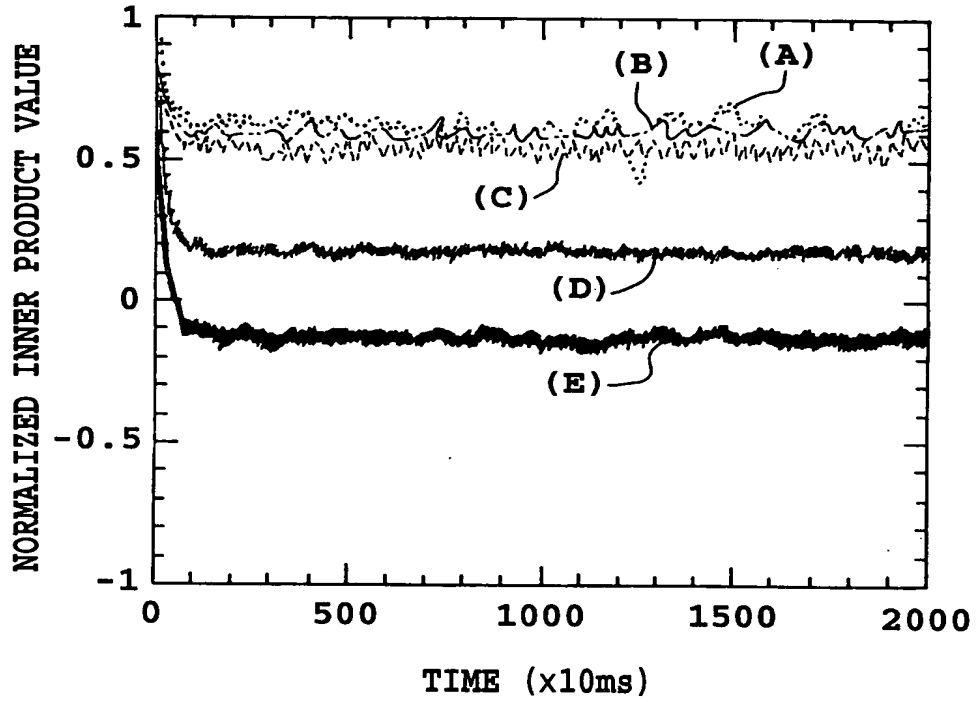


FIG.11A

FIG.11B

12/44



- (A) fD Tslot=0.001
(B) - - - - - fD Tslot=0.01
(C) fD Tslot=0.1
(D) ——— fD Tslot=0.3
(E) ——— fD Tslot=0.5

FIG.12

FIG.13

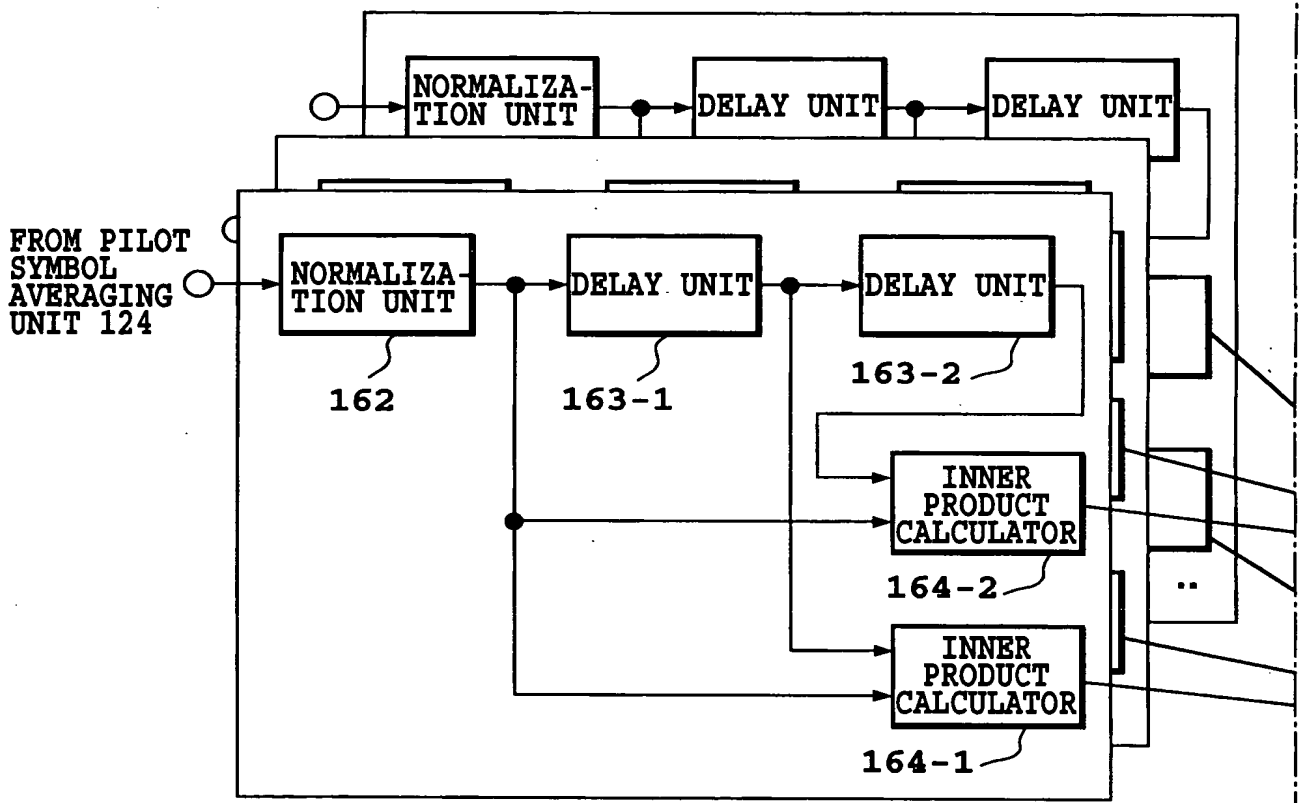
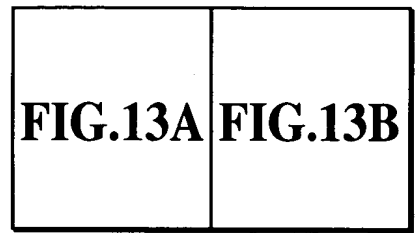


FIG.13A

09/701705-1200

000001" 504FD60

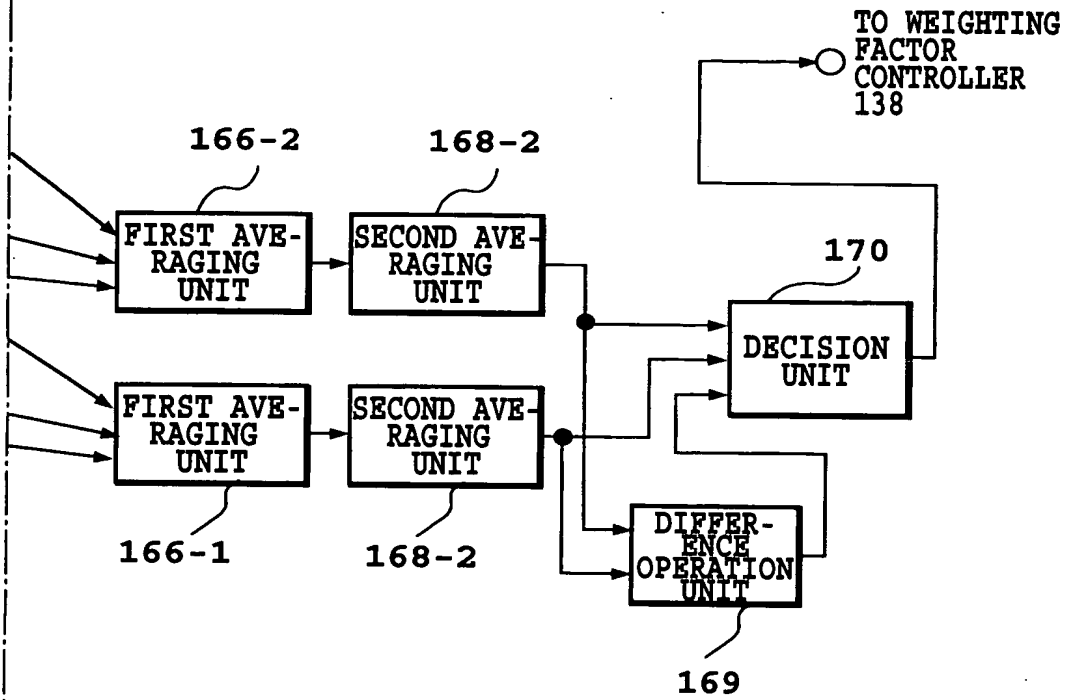


FIG.13B

DDFORM 502 F0260

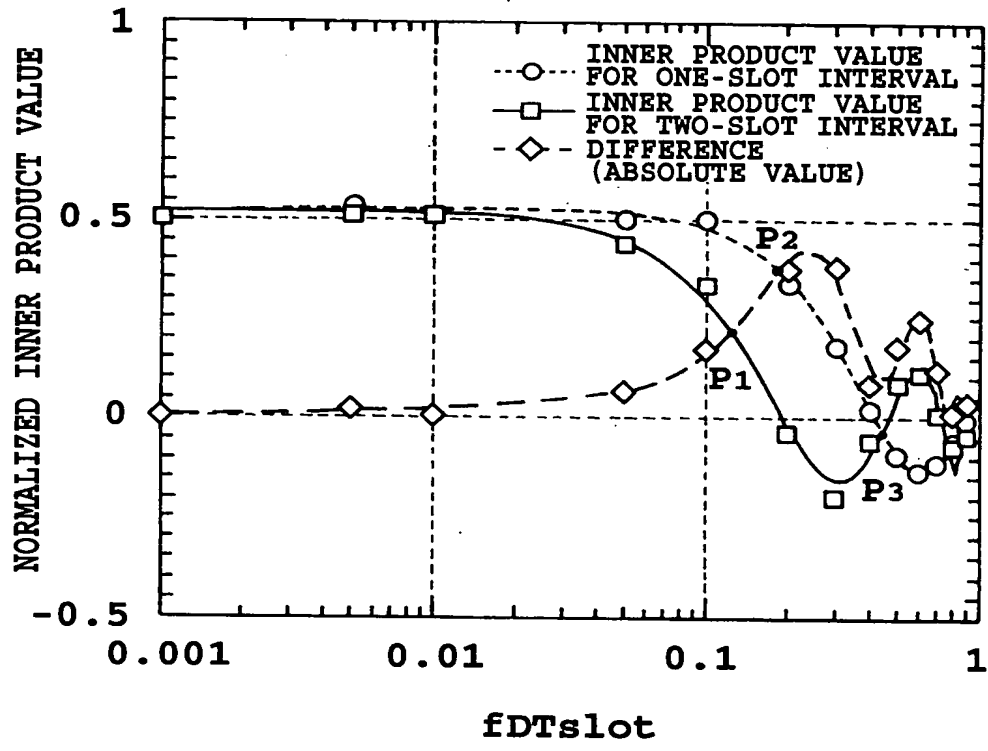


FIG.14

16/44

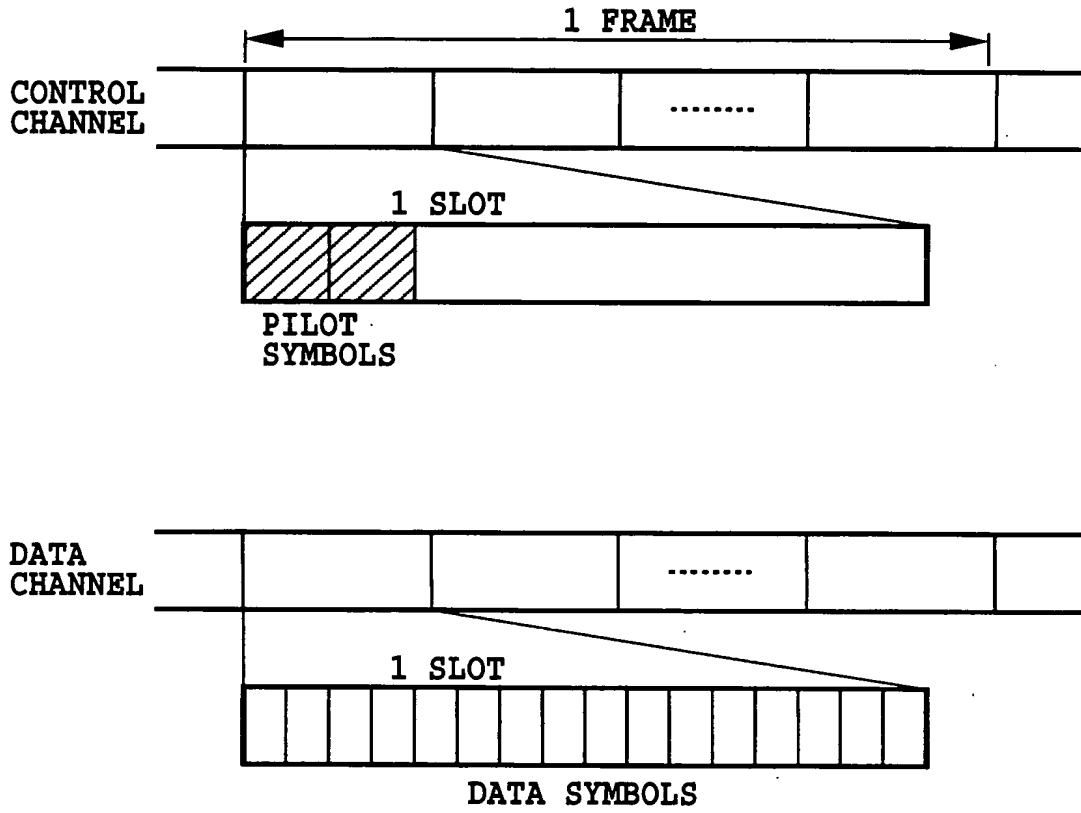


FIG.15

09701705-120100

09/701705 120400

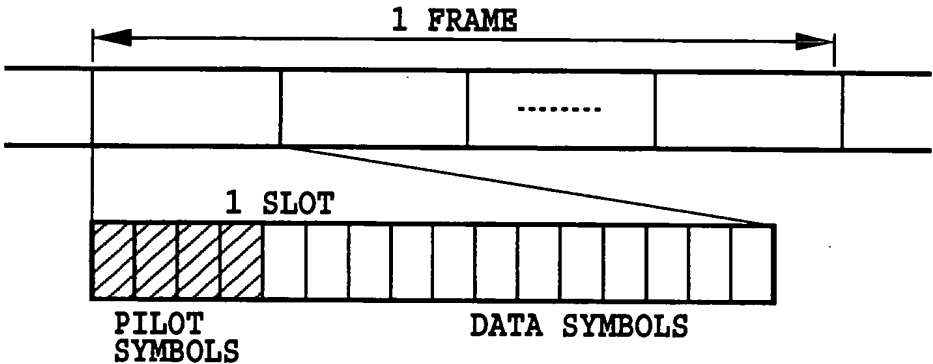


FIG.16

OUTLET "S0270260

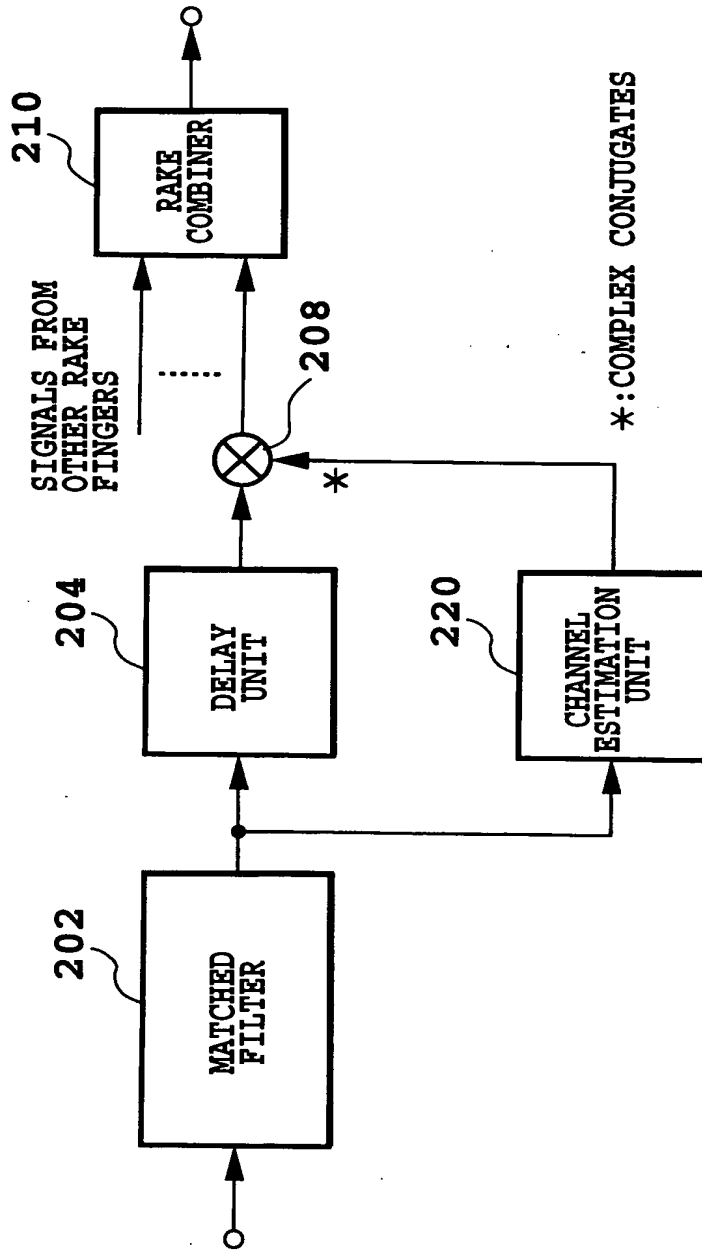


FIG.17

19/44

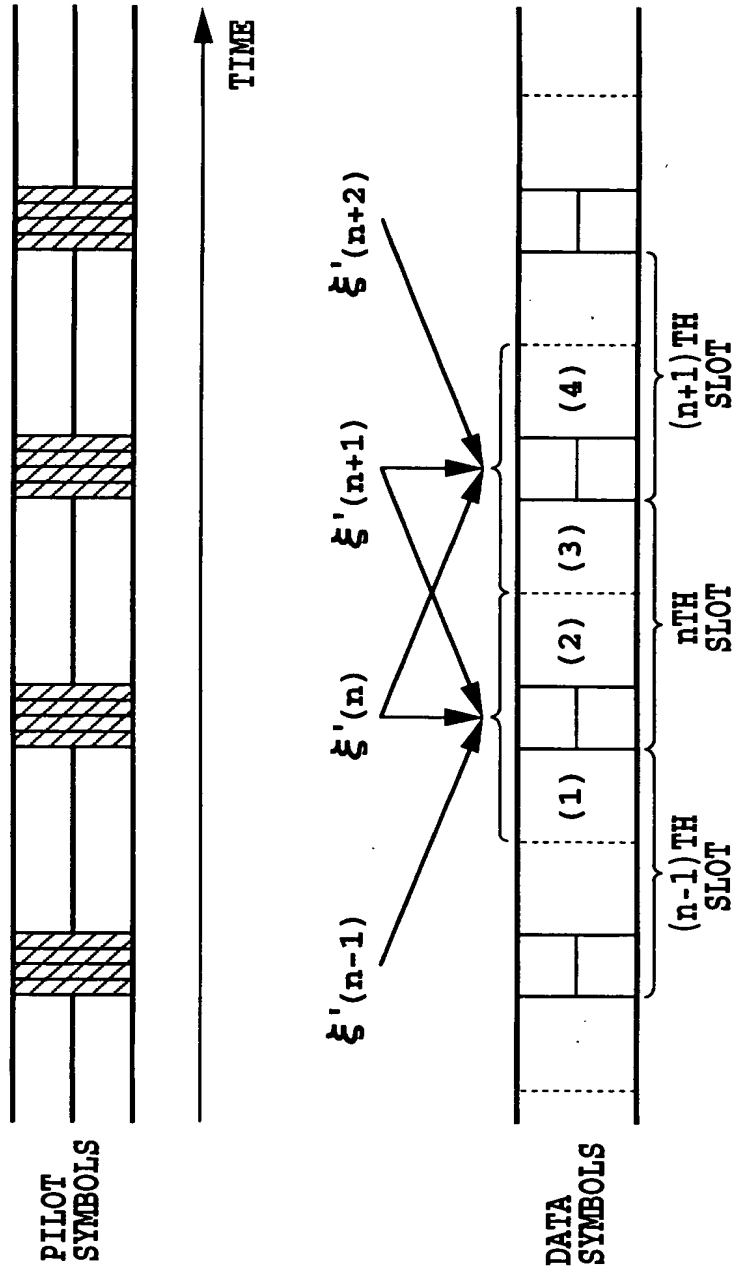
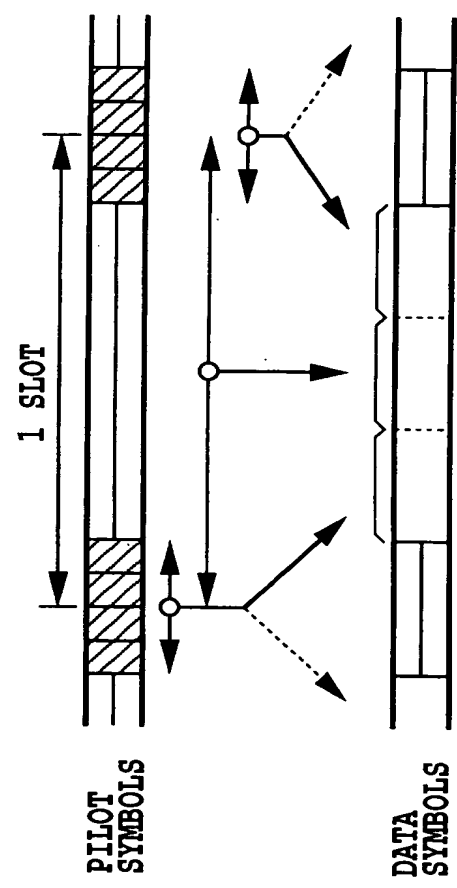


FIG.18

DOTNET 502FD60



THE NUMBER OF SYMBOLS FOR AVERAGING = 4
 THE NUMBER OF DIVIDING OF DATA = 3

FIG.19

007021" 50270460

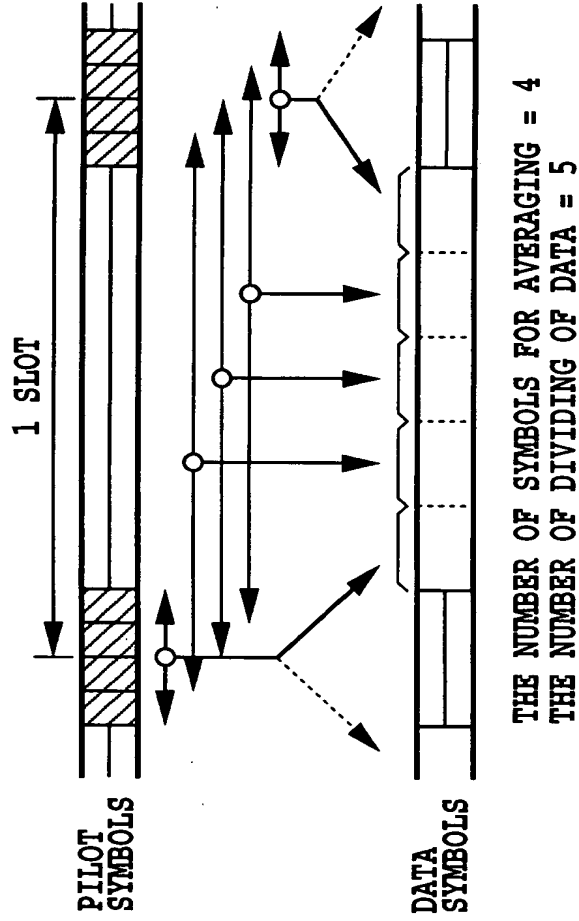
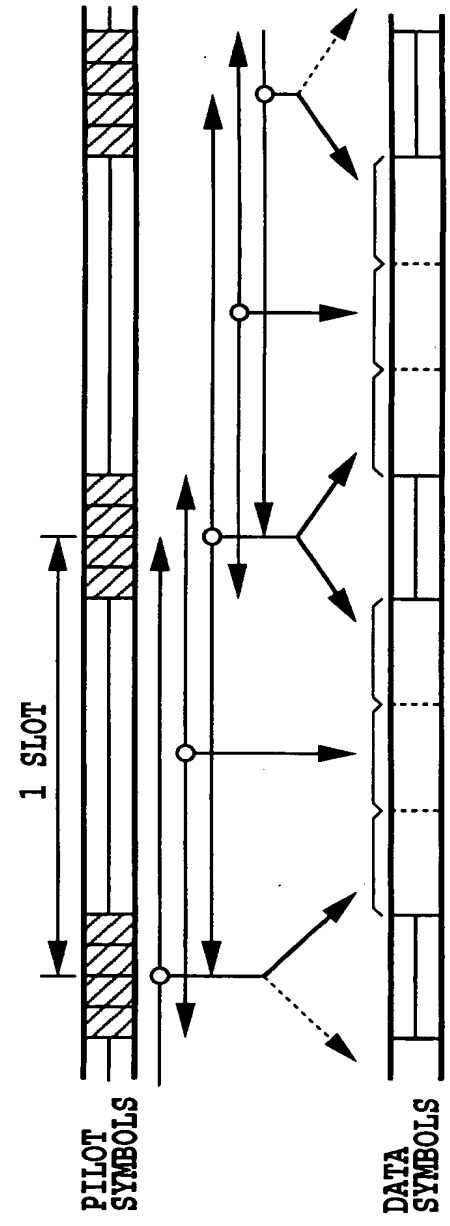


FIG.20

007027" 50270260



THE NUMBER OF SYMBOLS FOR AVERAGING = 8
 THE NUMBER OF DIVIDING OF DATA = 3

FIG.21

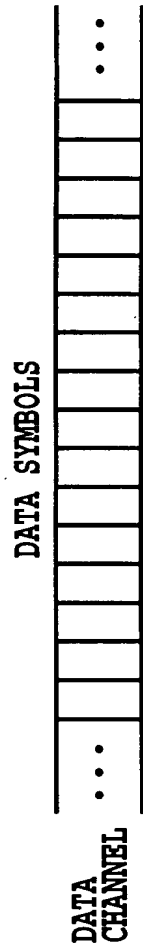
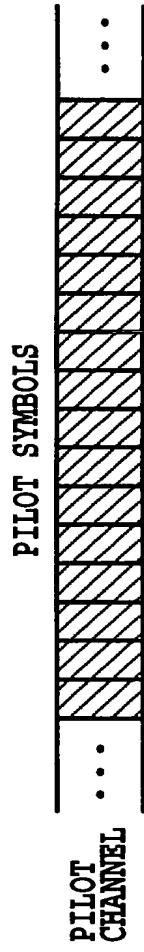


FIG. 22

00T02T" 502FD260

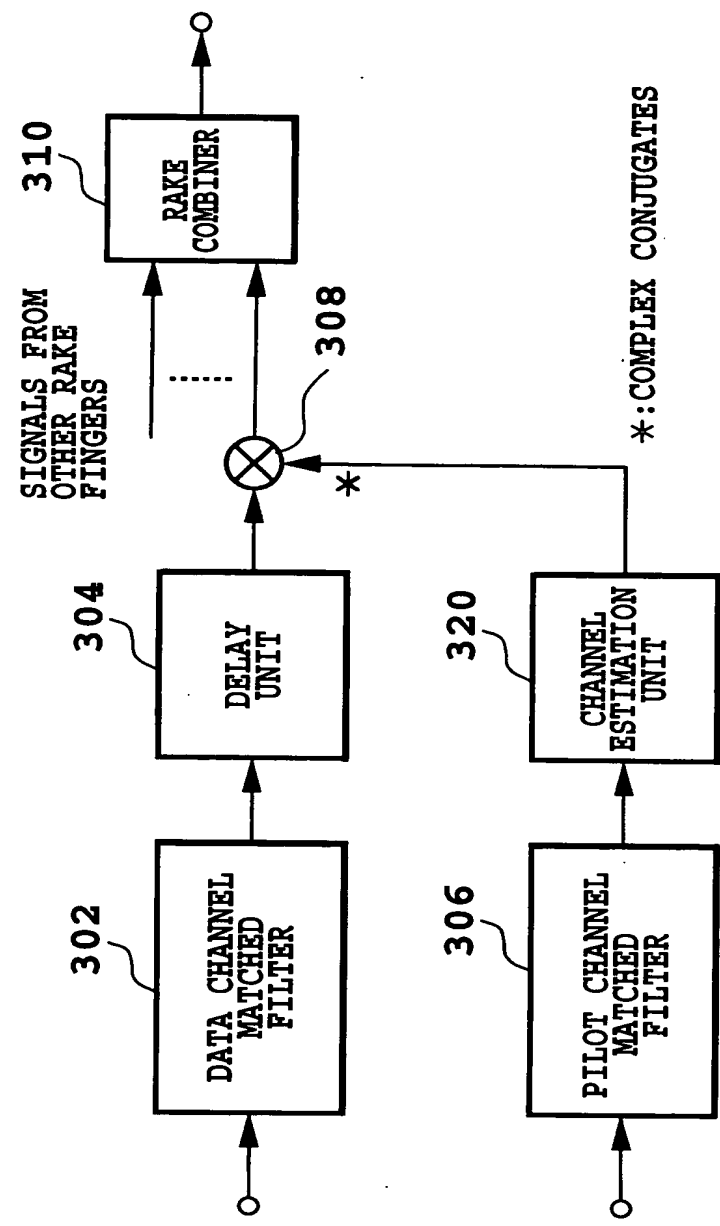


FIG.23

DOTNET 50470260

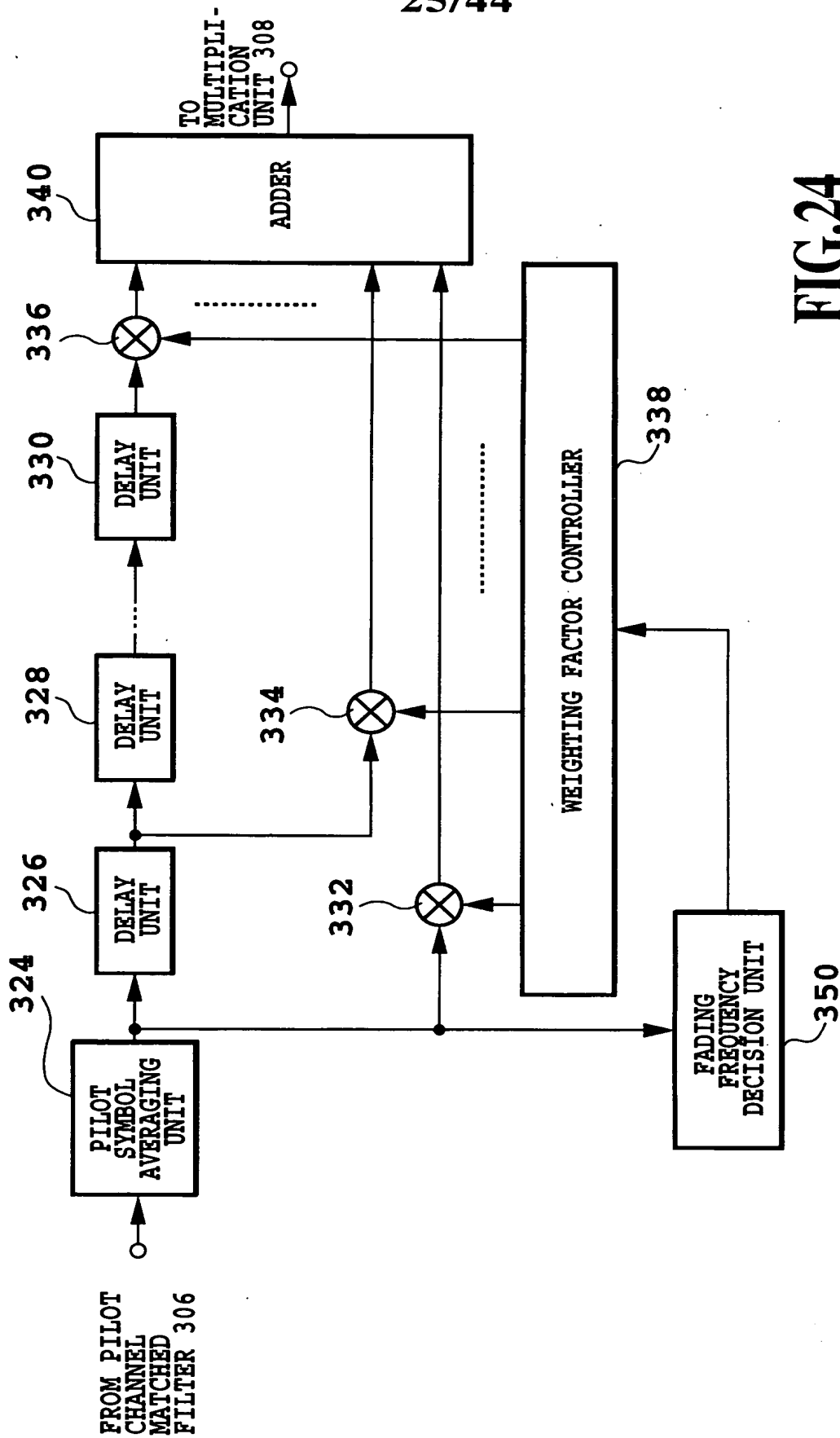


FIG.24

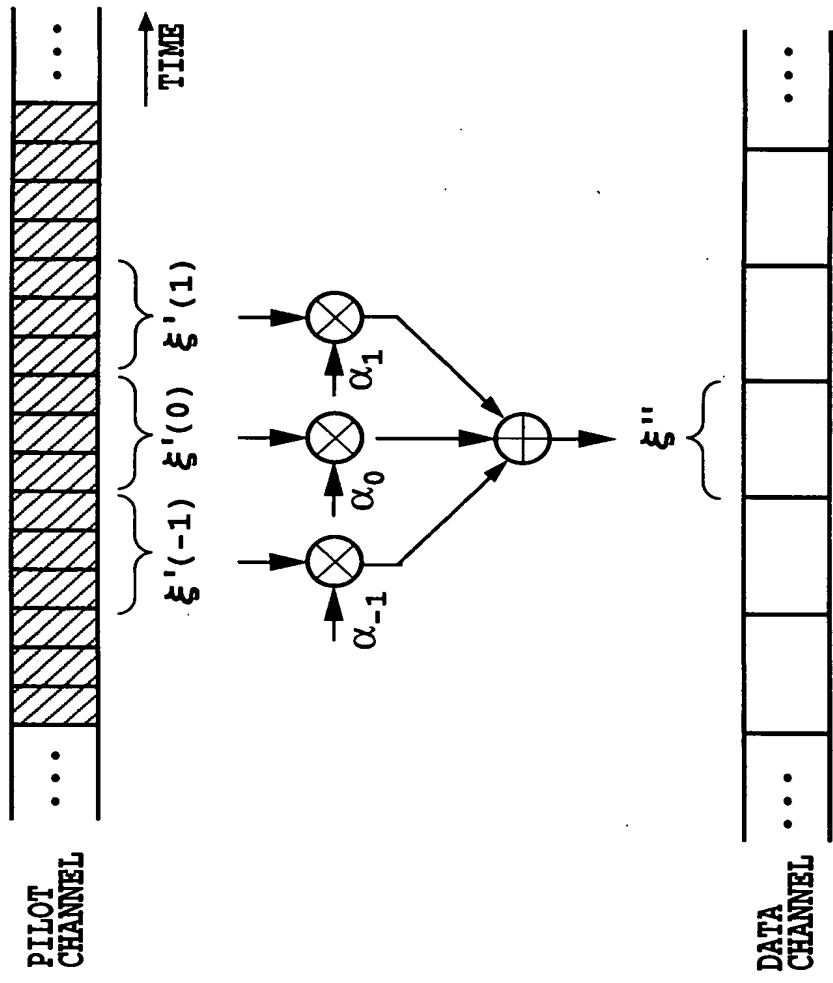
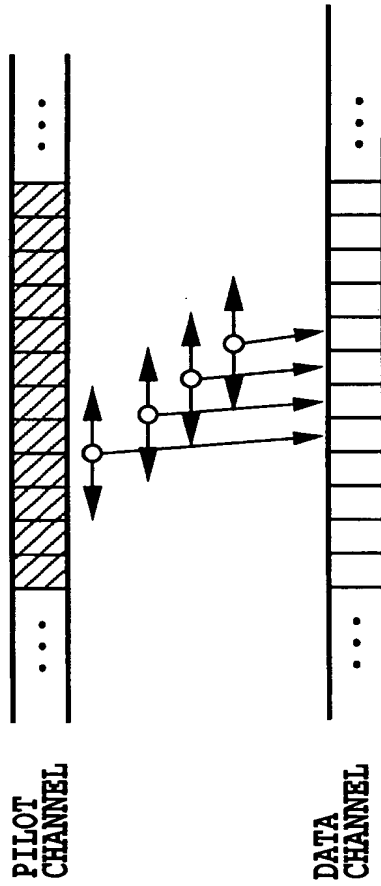


FIG.25

27/44



THE NUMBER OF SYMBOLS FOR AVERAGING = 4

FIG.26

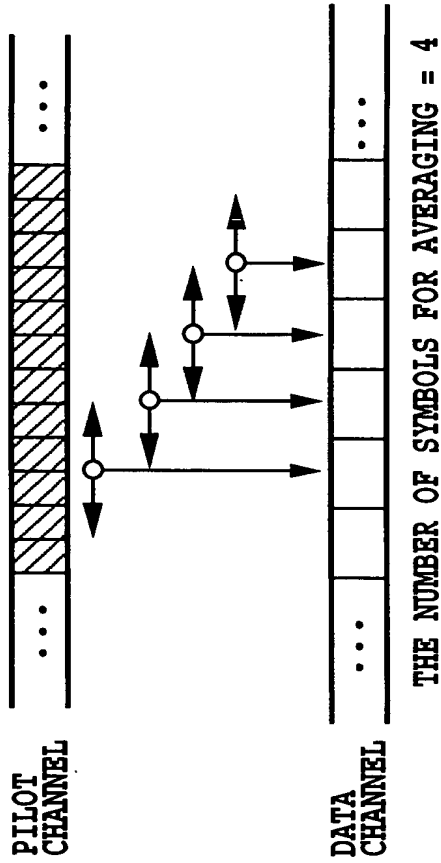


FIG.27

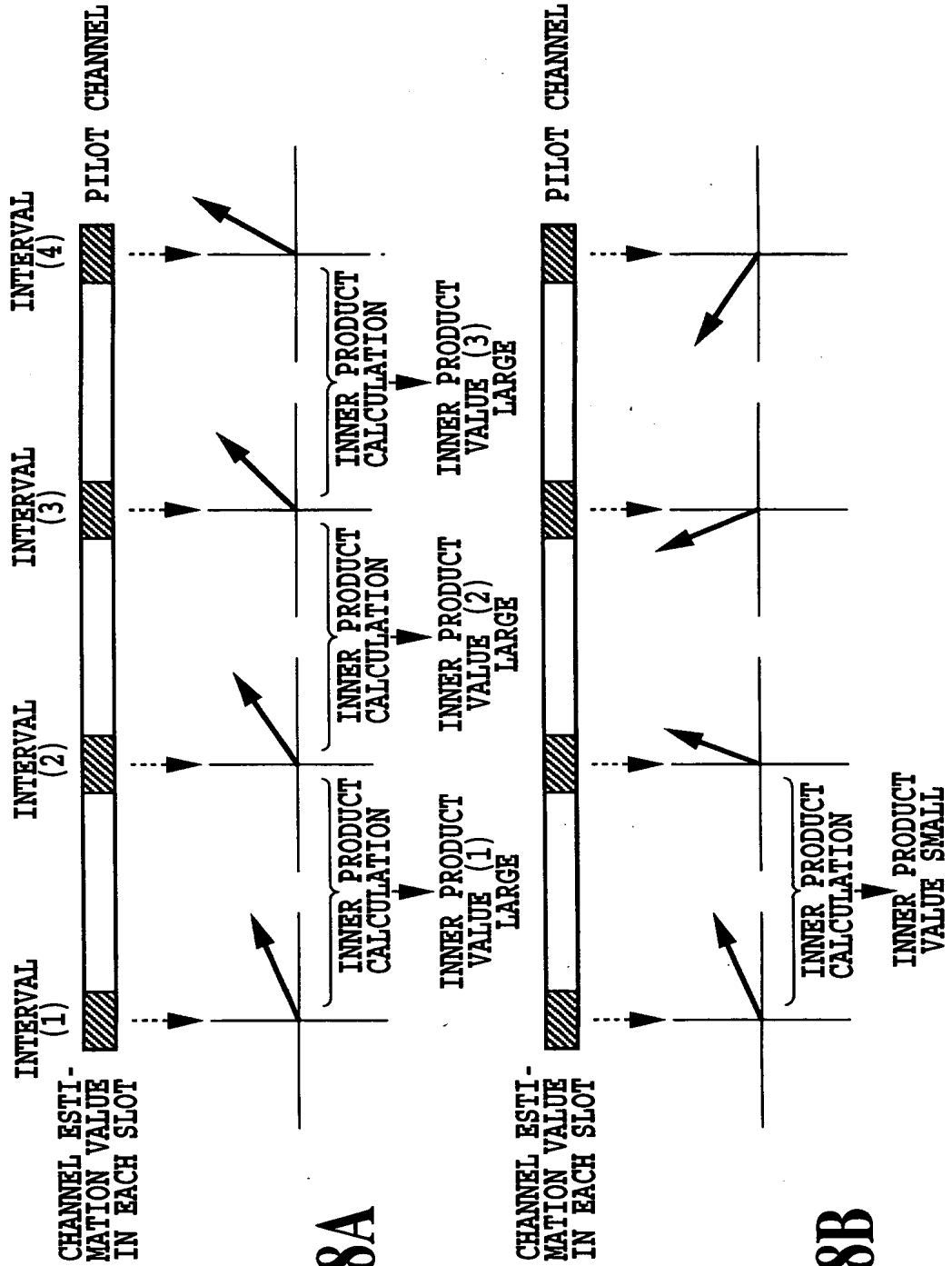


FIG. 28A

FIG. 28B

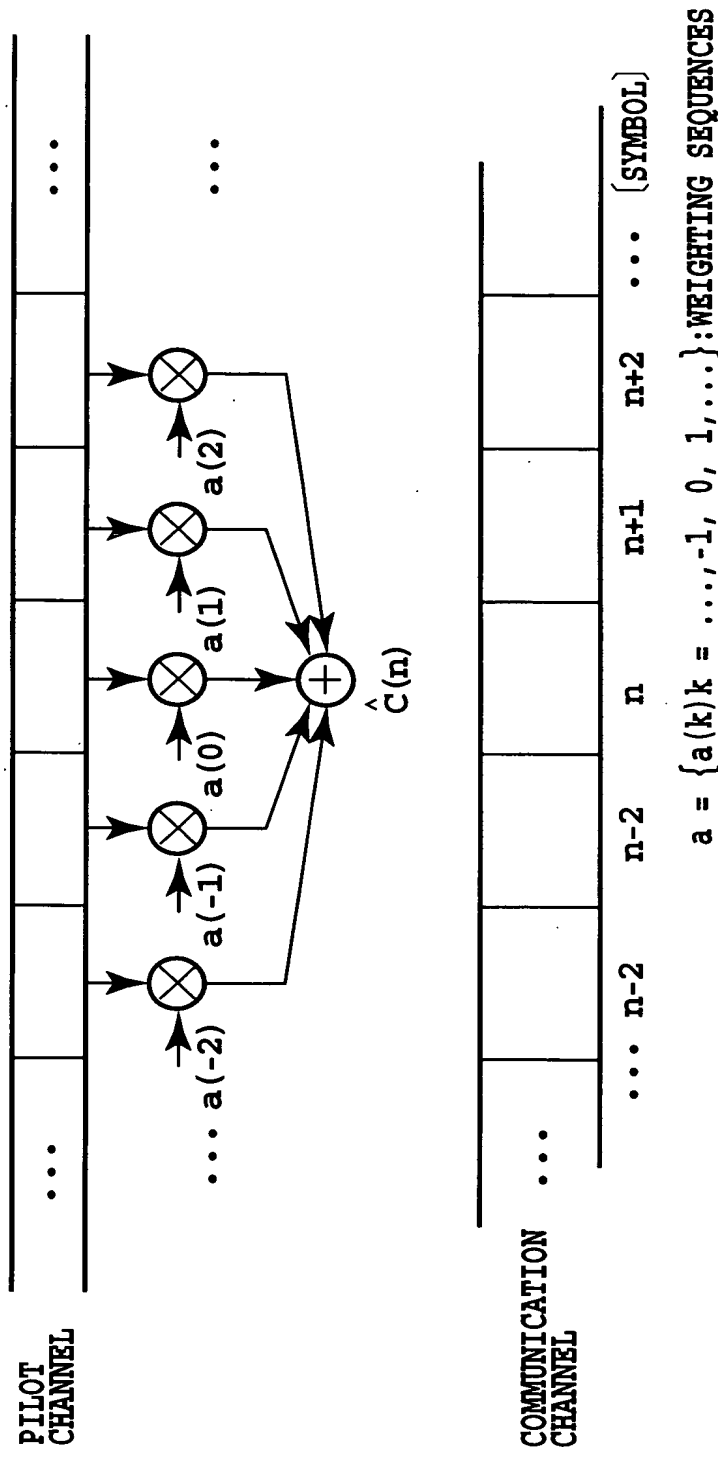


FIG.29

FIG.30

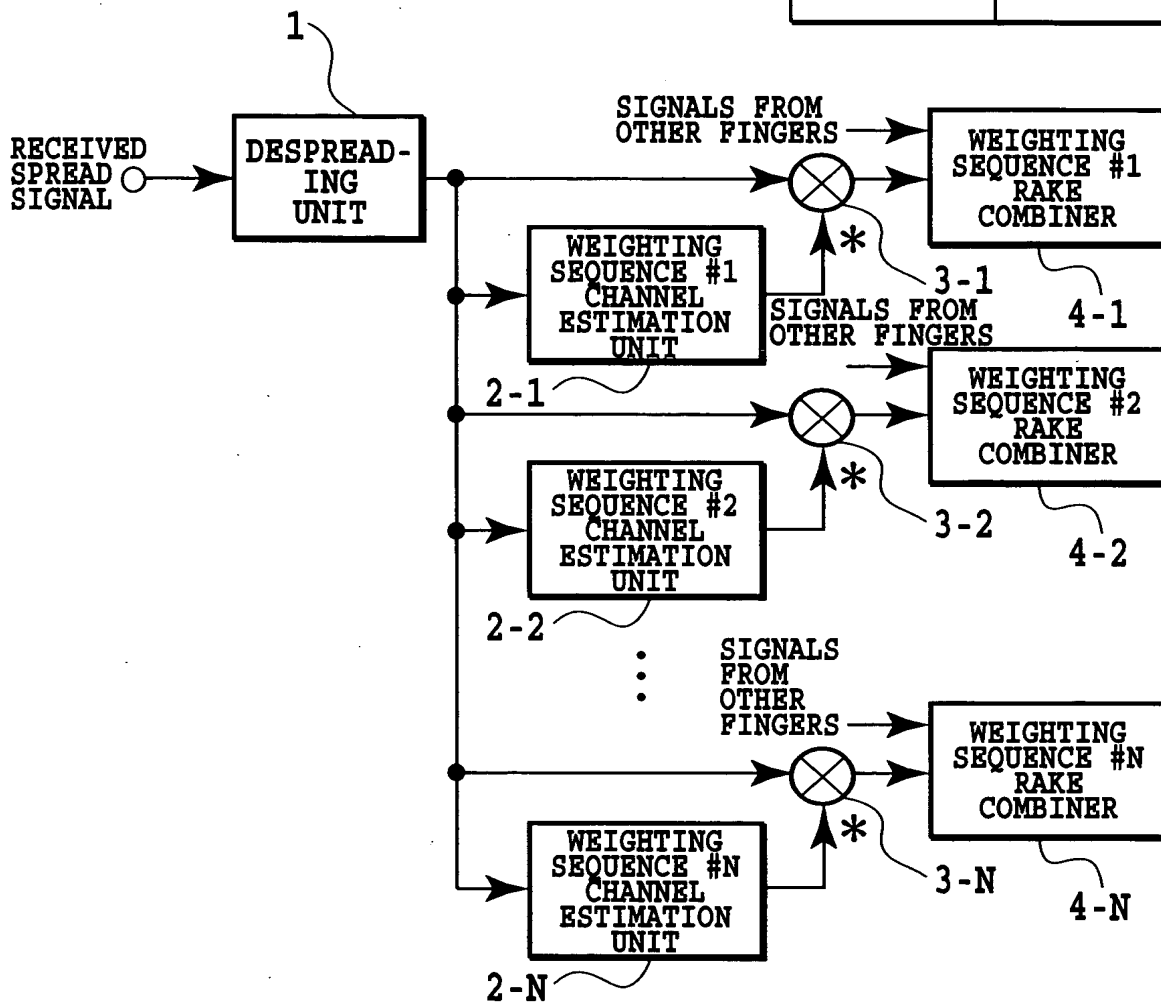
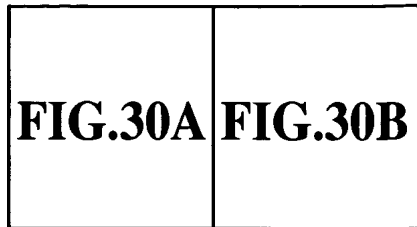
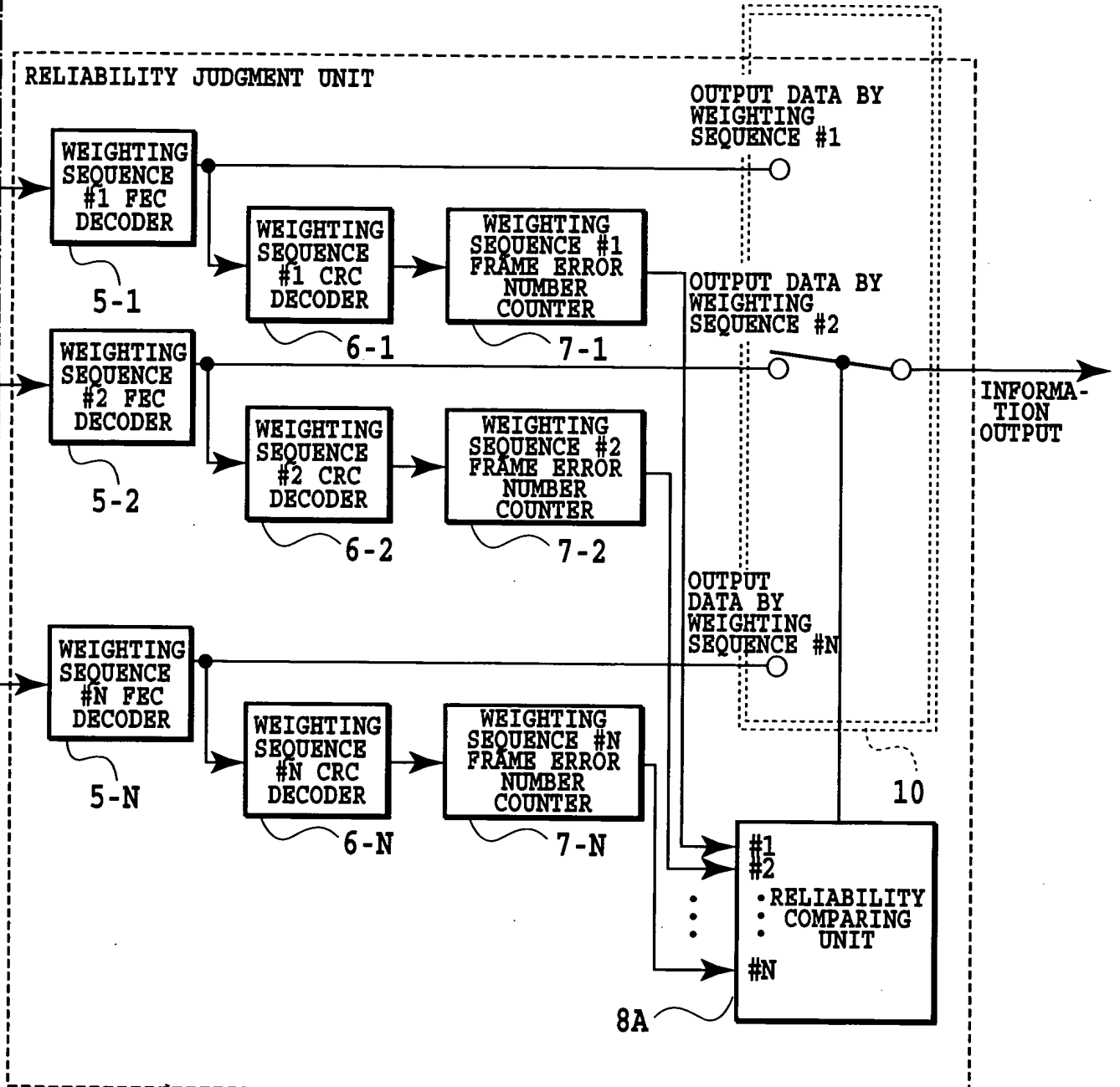


FIG.30A

09/701705-120100

32/44

007021 50270260



9

FIG.30B

FIG.31

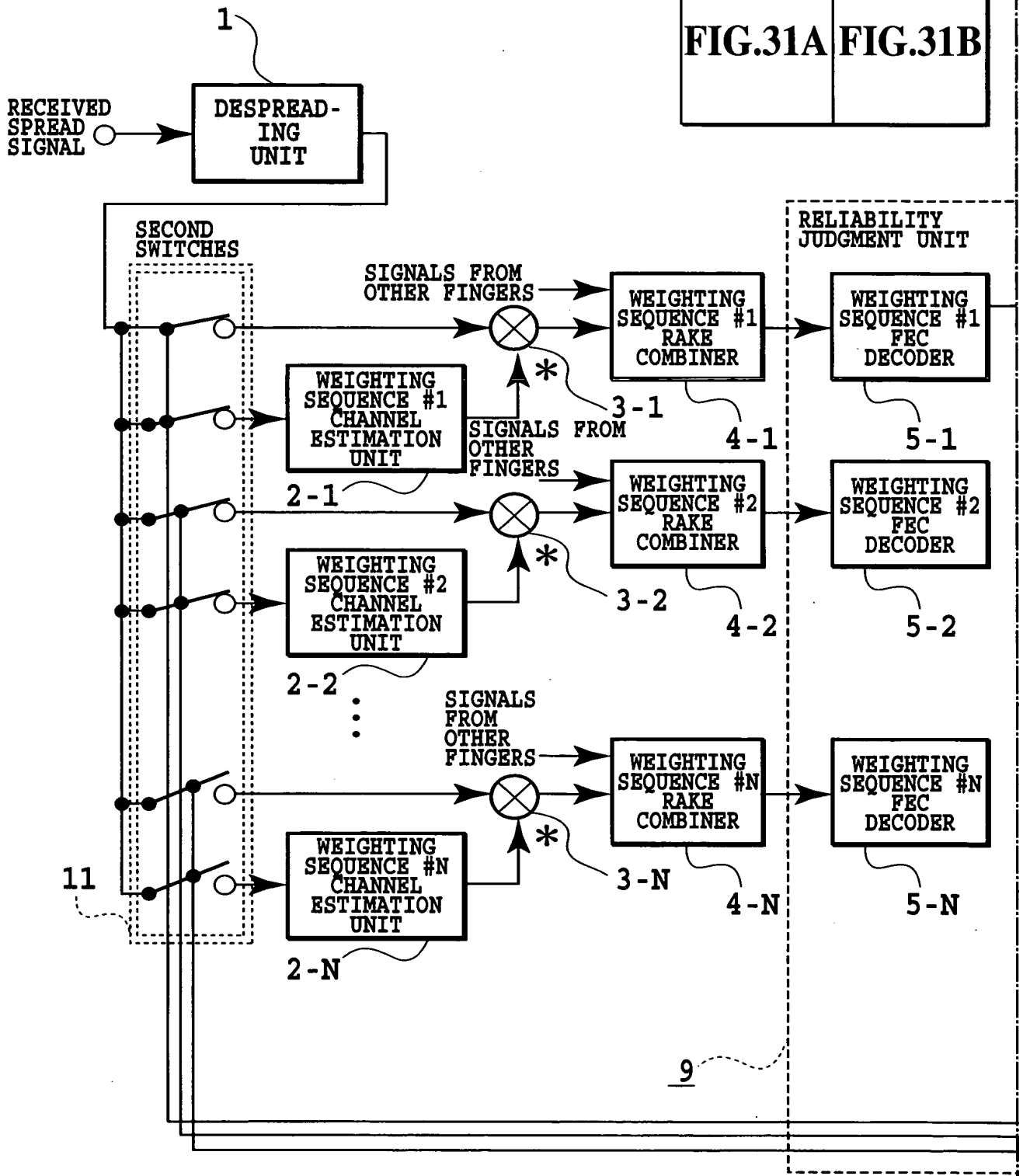
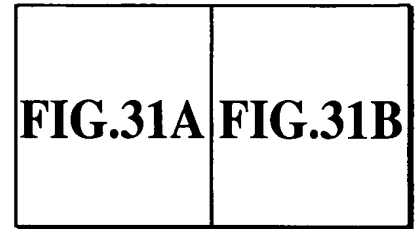


FIG.31A

00102150270260

00101 504060

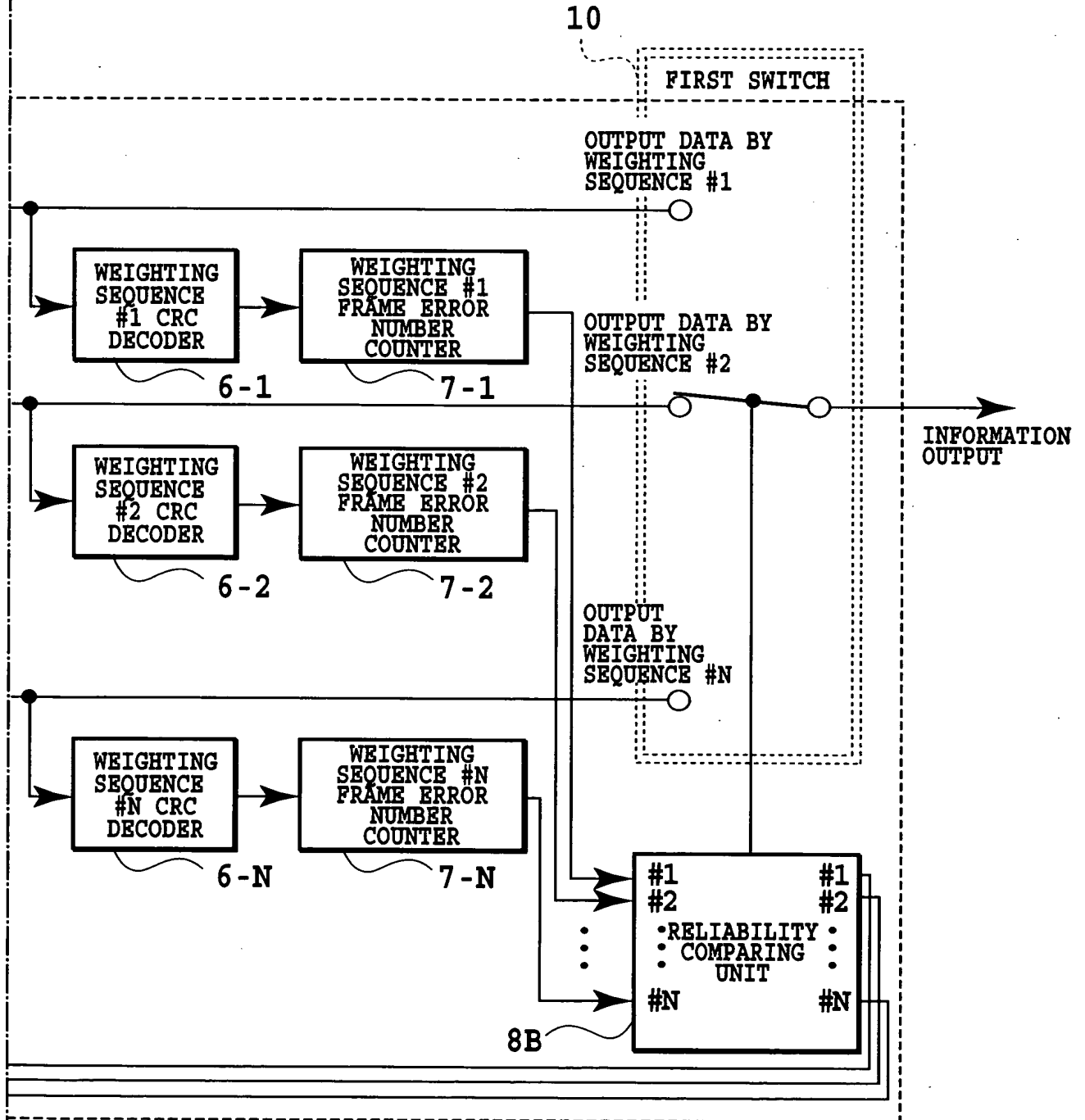


FIG.31B

DATE: 50270650

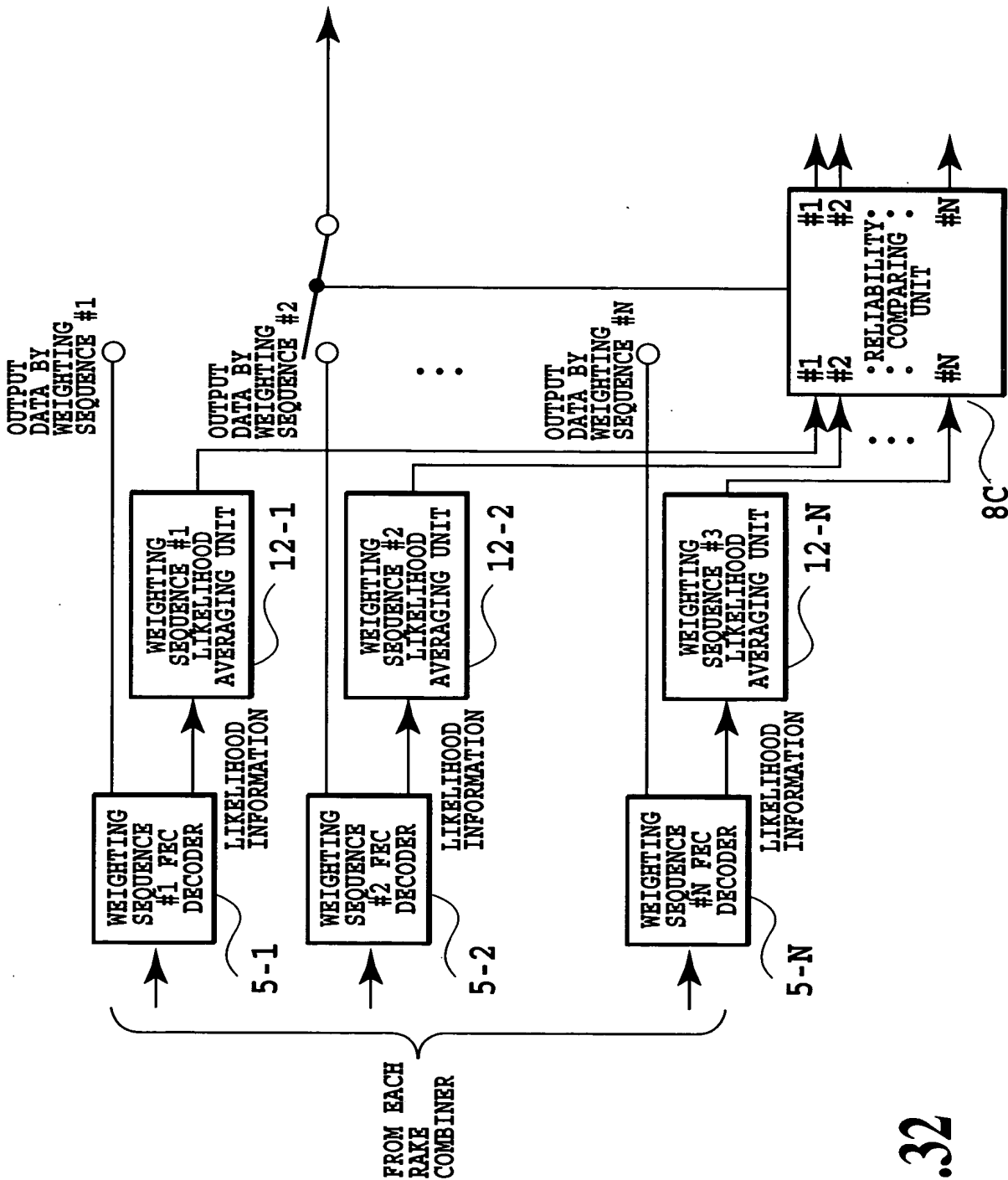


FIG.32

OFFICE "SOTFO260"

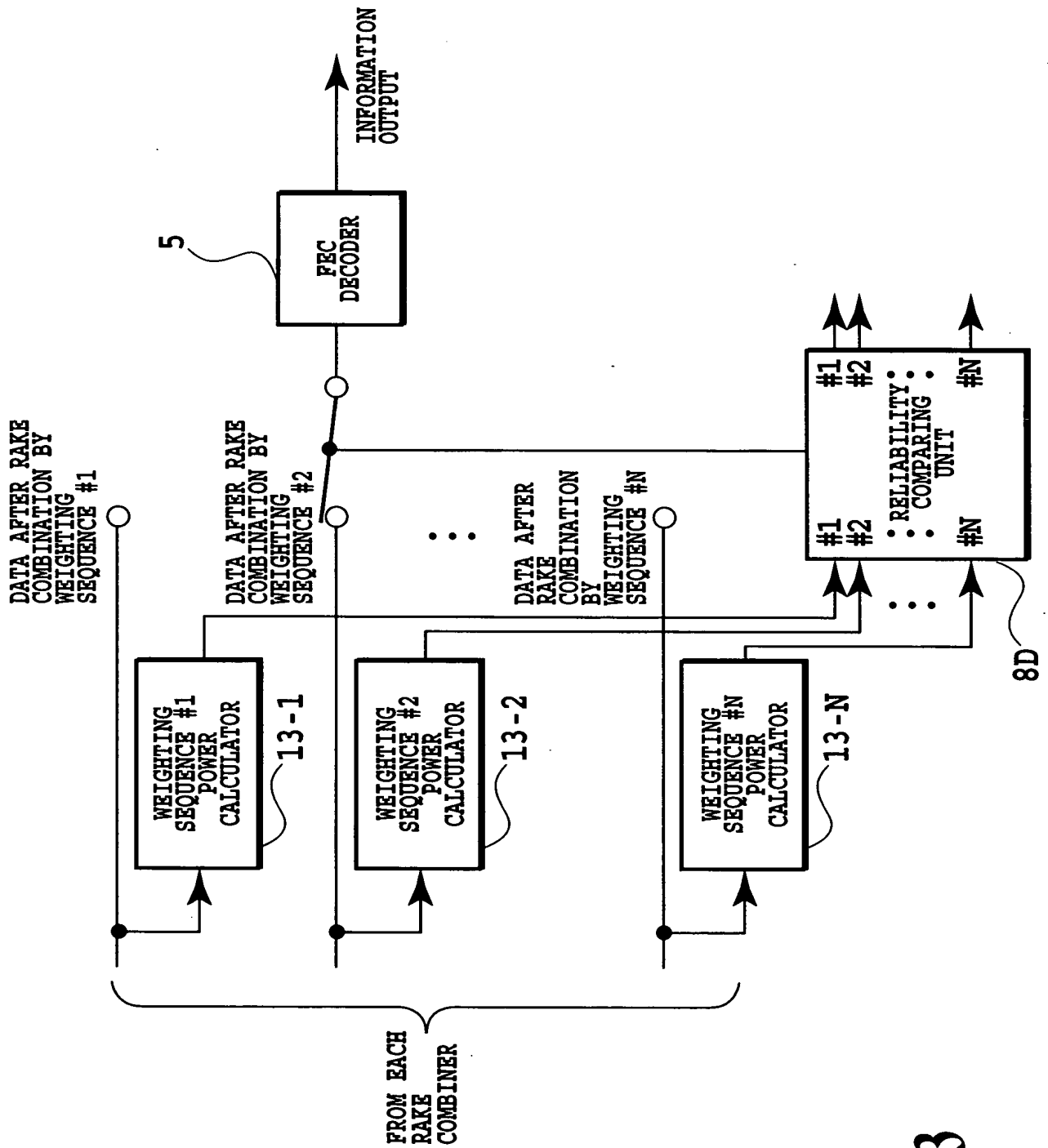


FIG.33

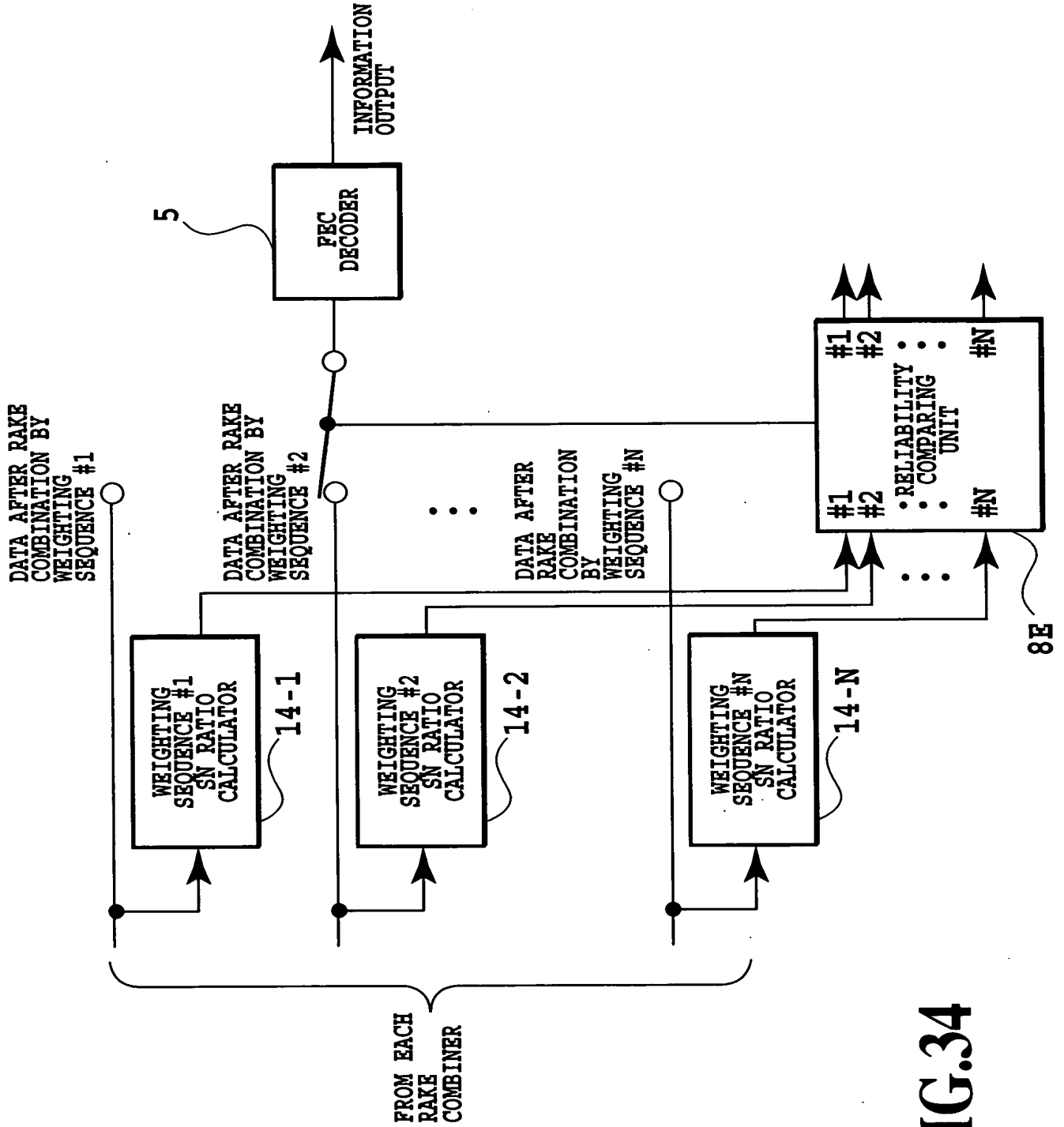


FIG.34

38/44

FIG.35

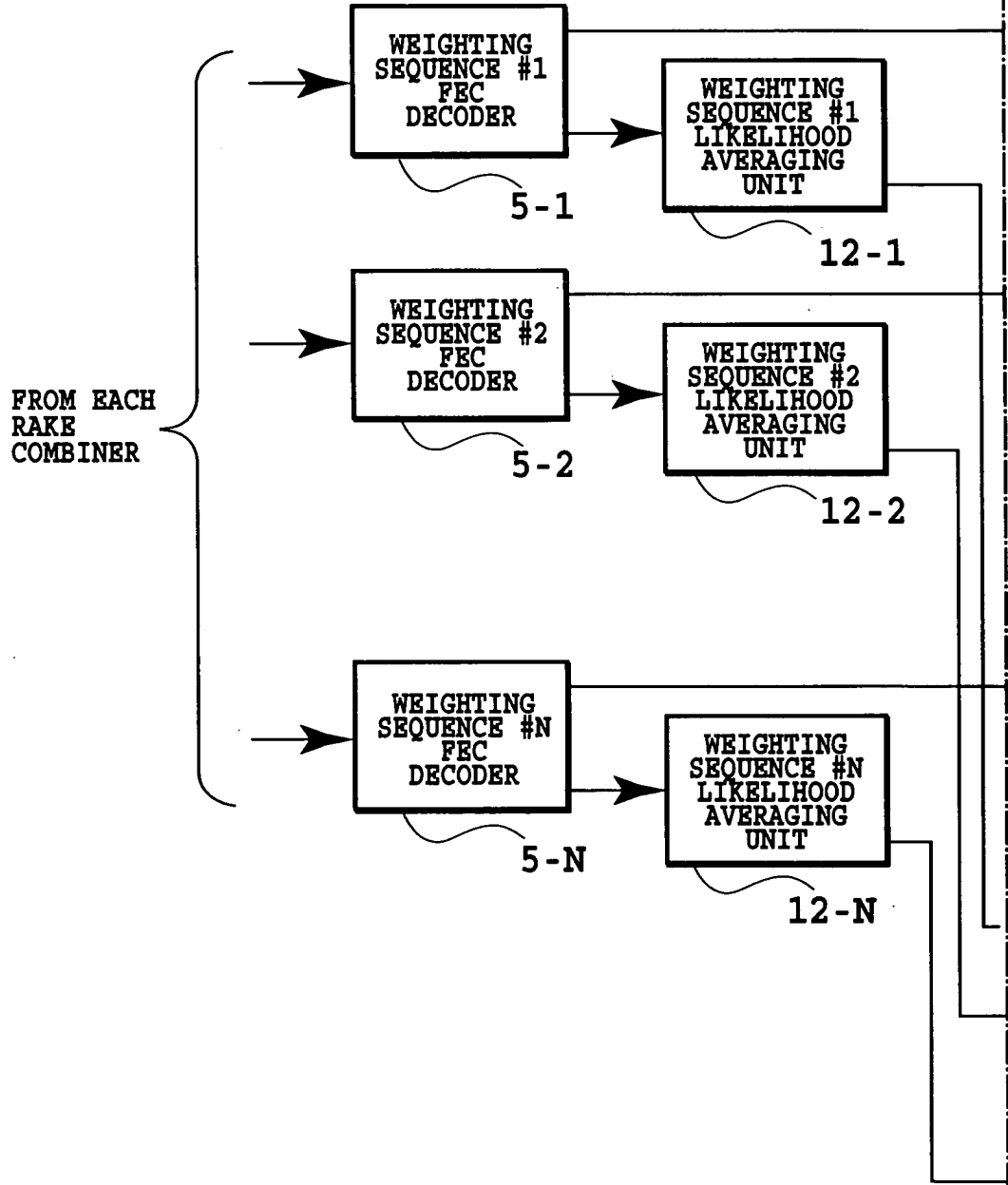
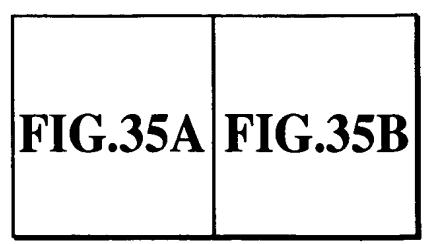


FIG.35A

001021 50210260

39/44

001021 50210260

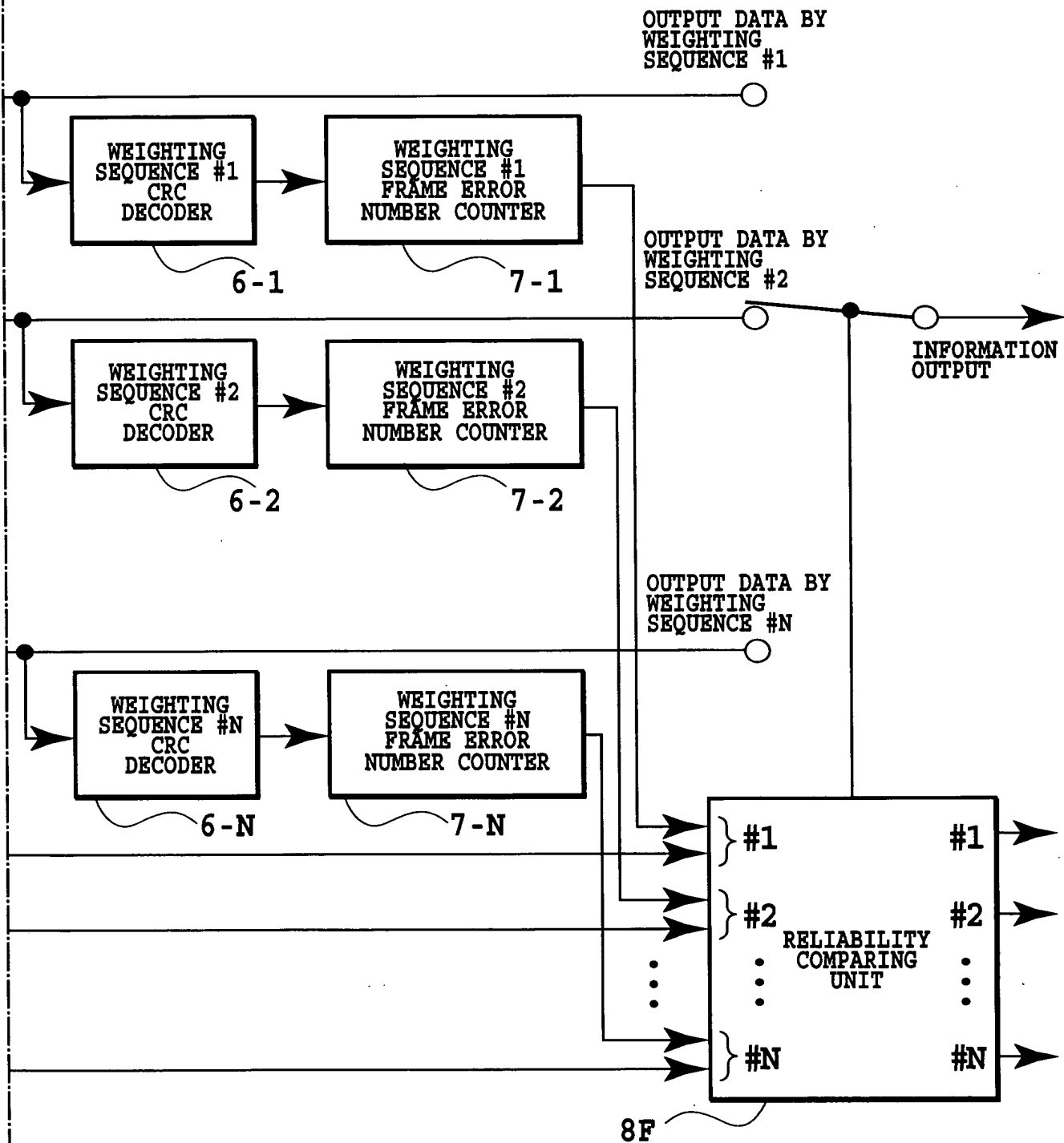
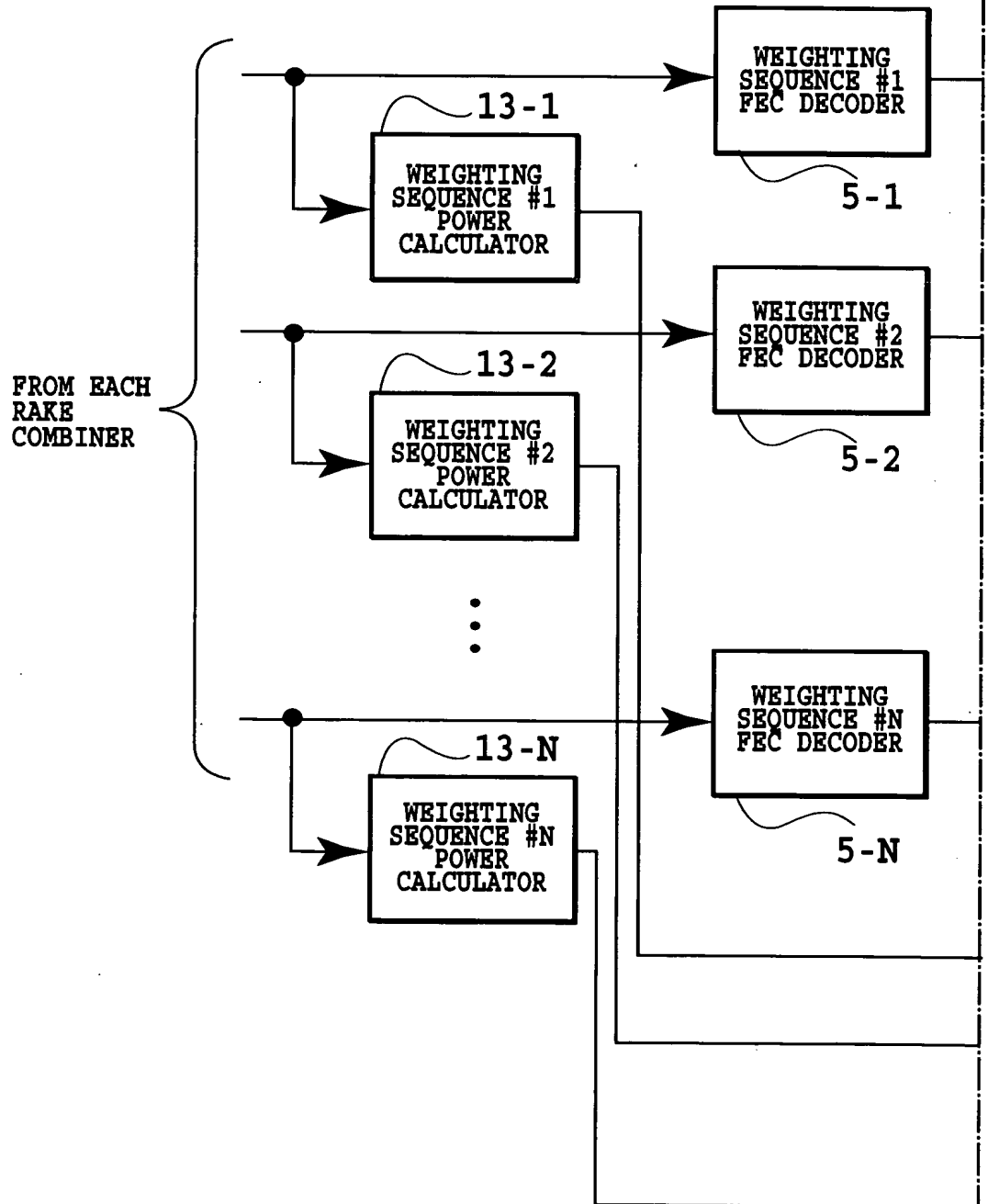
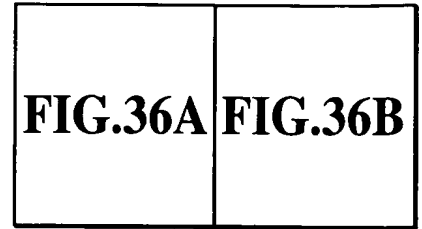


FIG.35B

40/44

FIG.36



007021 50270260

FIG.36A

41/44

00102150210650

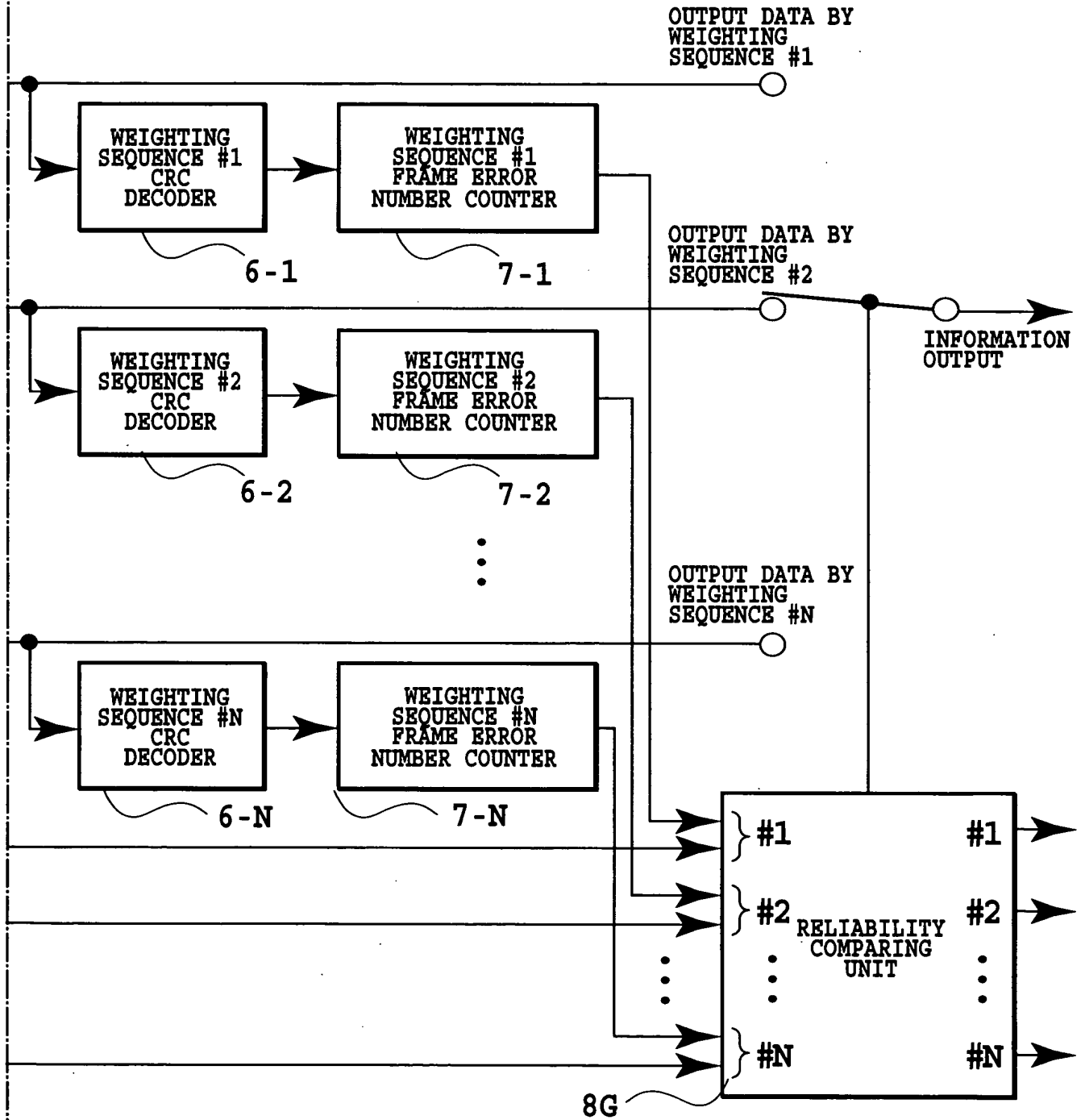
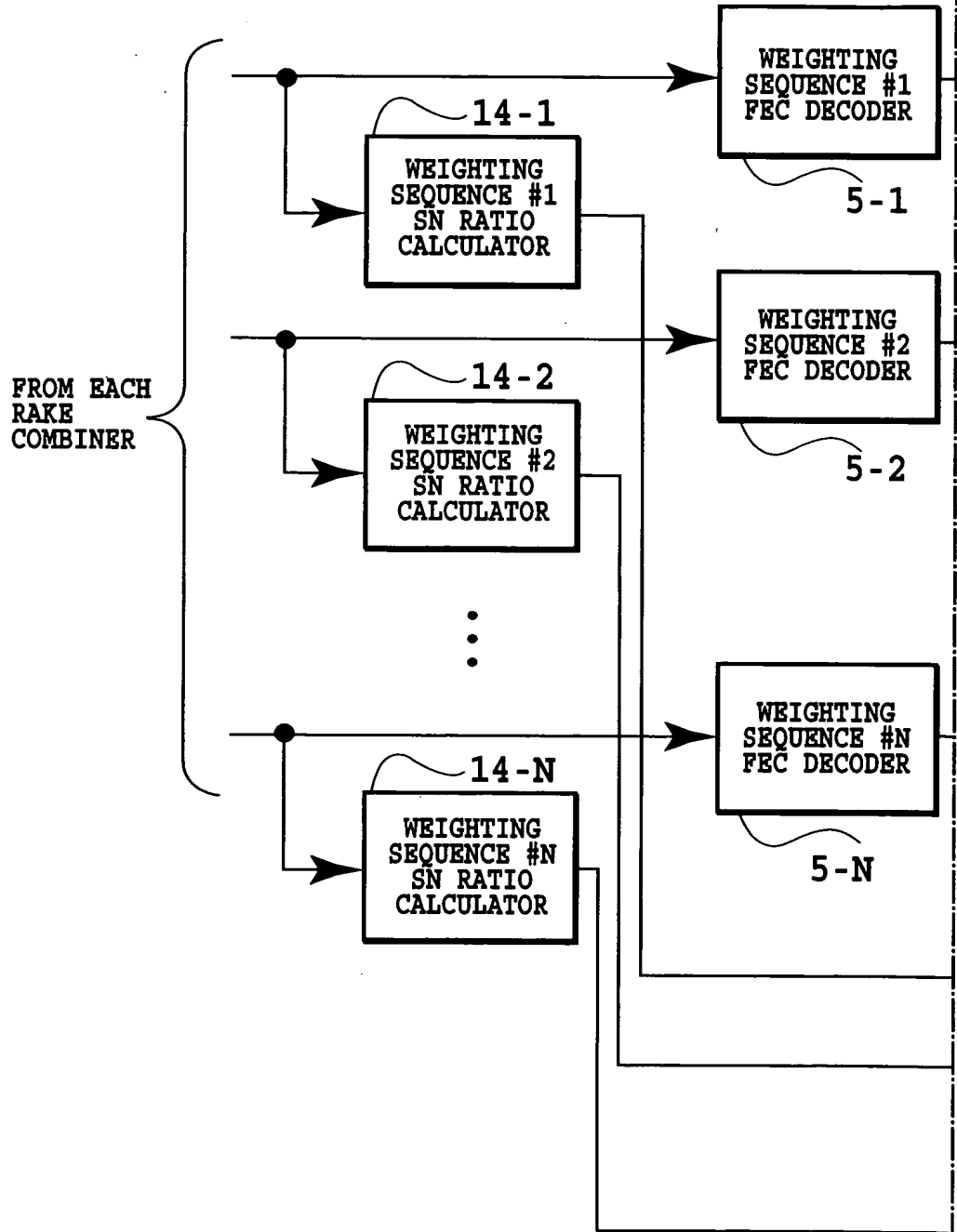
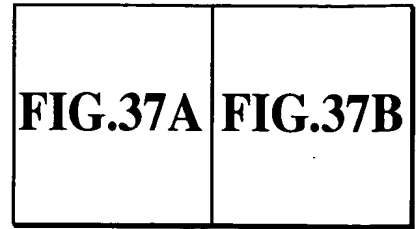


FIG.36B

42/44

FIG.37



097027 507060

FIG.37A

007027 50470450

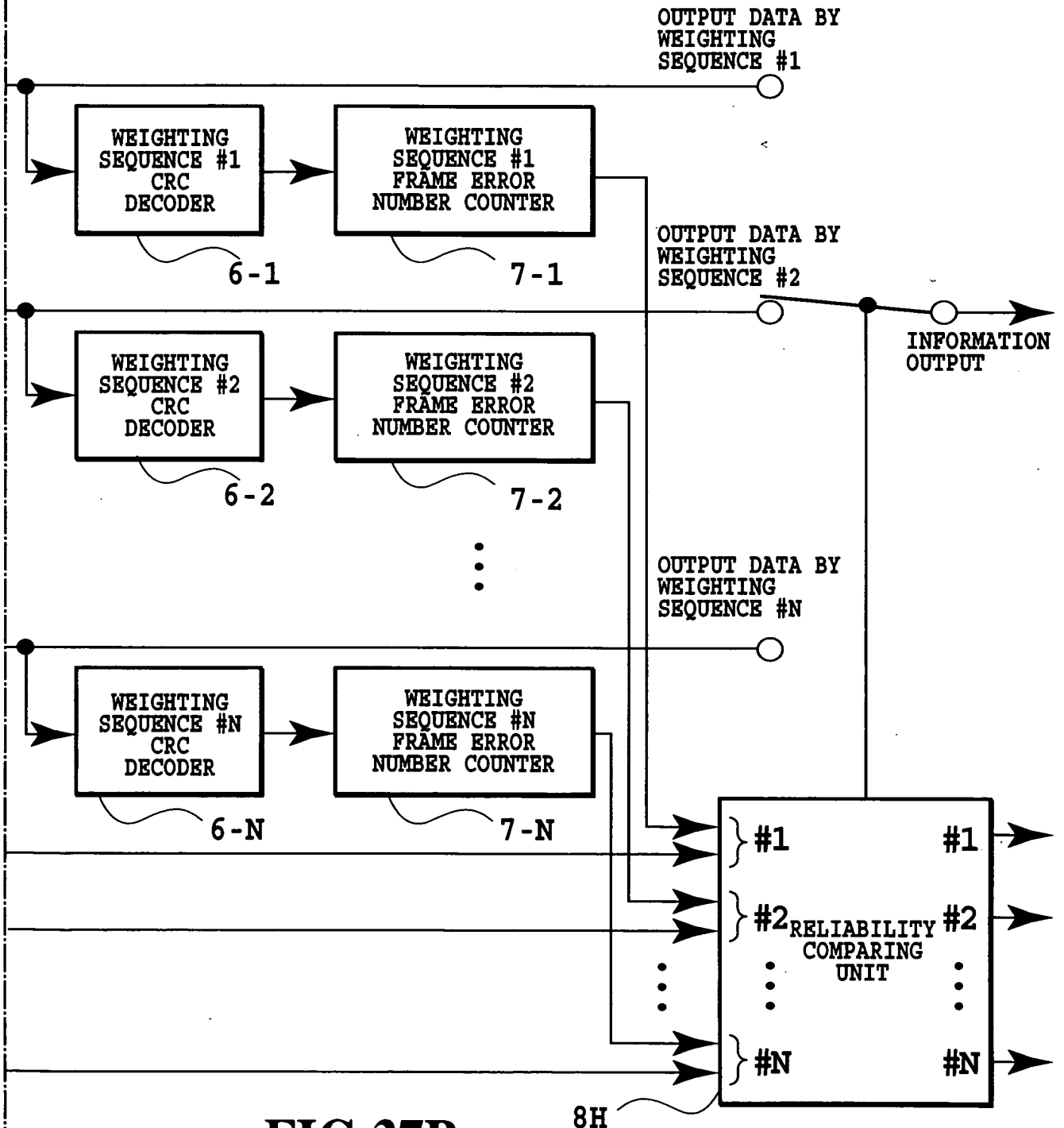


FIG.37B

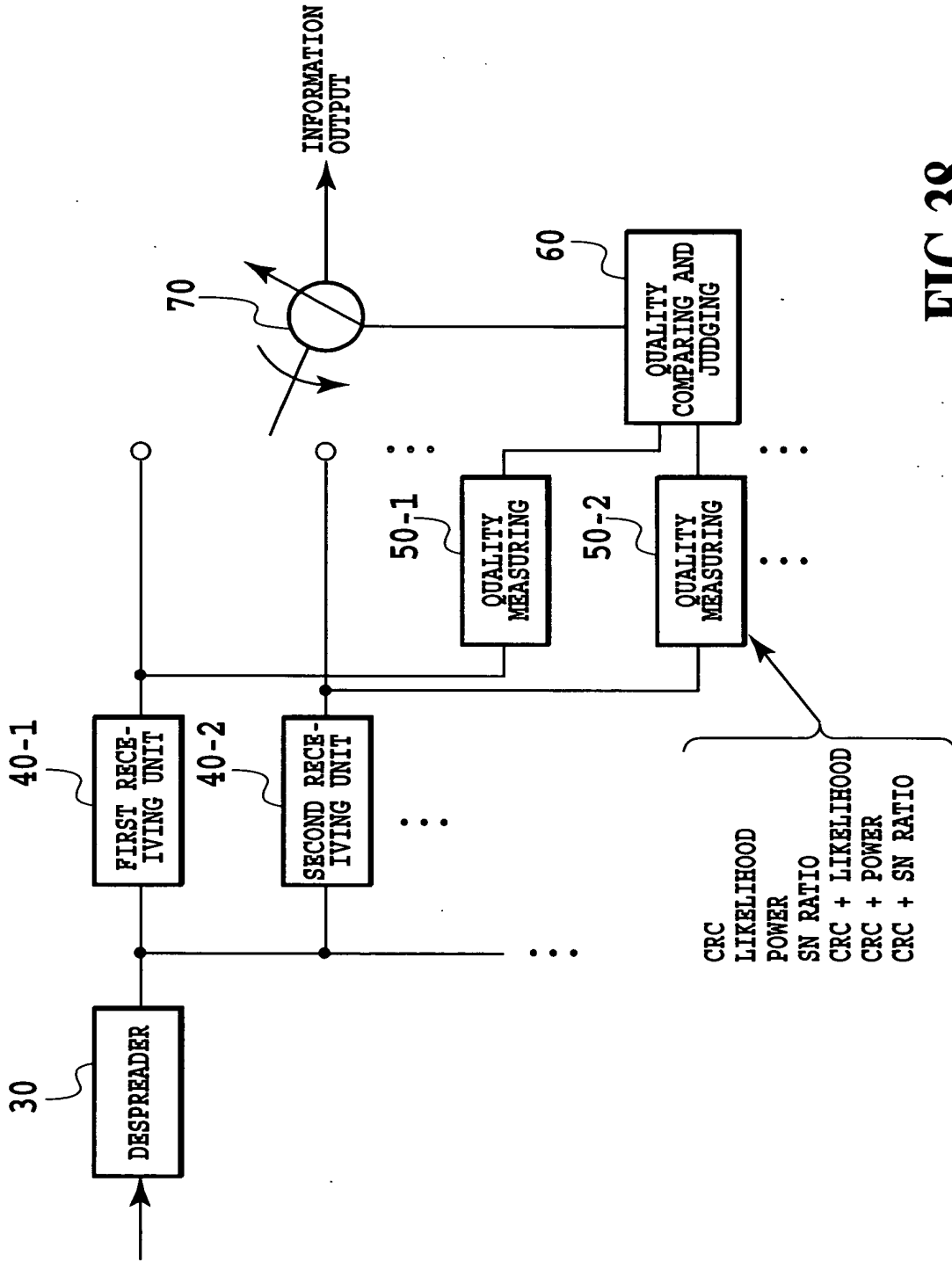


FIG.38